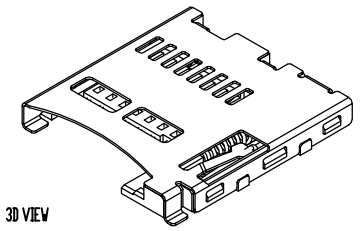
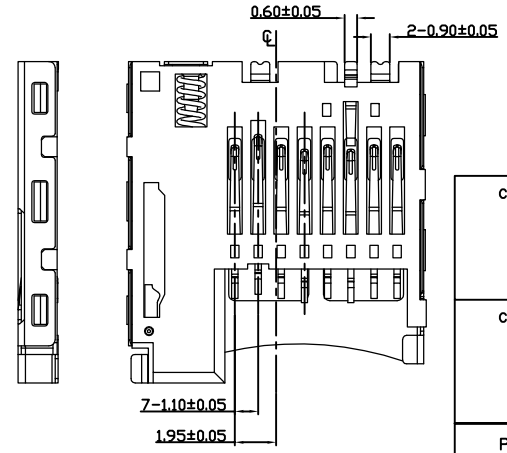
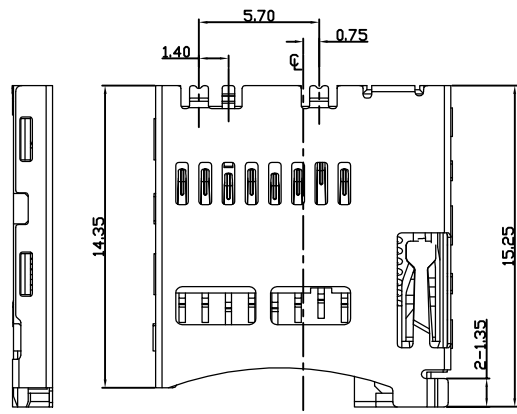
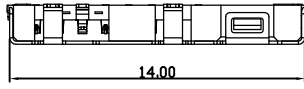
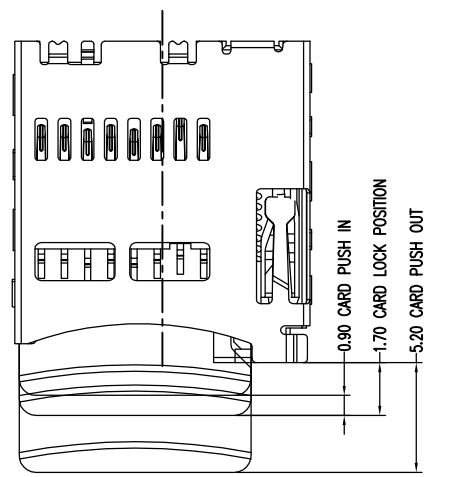
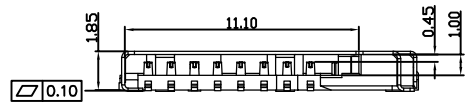


RoHS

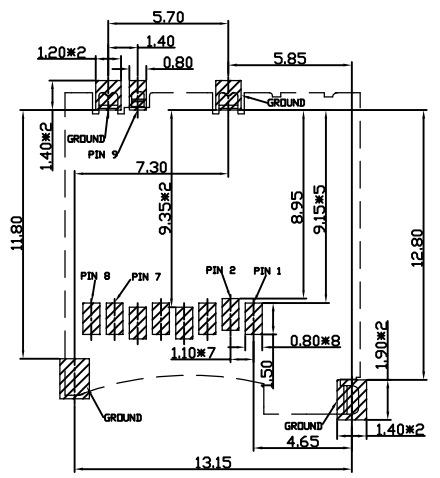
REV.	EC#	DESCRIPTION	DATE	DRAWING	CHECKED	APPROVED
------	-----	-------------	------	---------	---------	----------



3D VIEW



INSERT THE CARD STATUS



RECOMMENDED PCB LAYOUT
(ALL TOLERANCE ARE ±0.05)

CIRCUIT:		
CD	VSS	
WITHOUT CARD		
CIRCUIT:		
CD	VSS	
CARD INSERTED		
Pin No.	MICRO SD	
PIN1	DAT2	1P
PIN2	CD/DAT3	2P
PIN3	CMD	3P
PIN4	VDD	4P
PIN5	CLK	5P
PIN6	VSS	6P
PIN7	DAT0	7P
PIN8	DAT1	8P
PIN9	CARD DETECT	

SPECIFICATION

1.ELECTRICAL CHARACTERISTICS:
 Voltage Rating: 100V AC max
 CONTACT CURRENT RATING:0.5 AMPERES.
 DIELECTRIC WITHSTANDING VOLTAGE:AC500VR.M.S.
 LLNSULATION RESISTANTE:1000MΩ MINIMUM.
 CONTACT RESISTANTE:100mΩ MAXIMUM.

2.MECHANICAL CHARACTERISTICS:
 MATING CYELES:5,000 INSERTIONS.
 INSERTION FORCE: 2.0KGF MAX.
 EXTRACTION FORCE: 0.2KGF MIN.

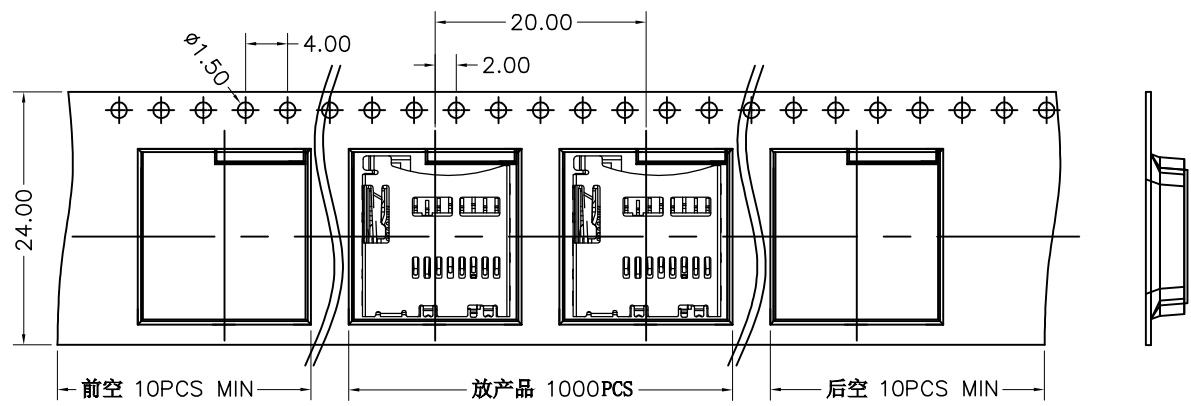
2.ENVIRONMENTAL:
 OPERATING TEMPERATURE:-20℃~+85℃.

3.MATERIAL:
 HOUSING:H1-TEMP PLASTIC LCP UL 94V-0 RATED
 CANTACT: COPPER ALLOY(T=0.15MM).
 SHELL:STAINLESS STEEL(T=0.15MM).

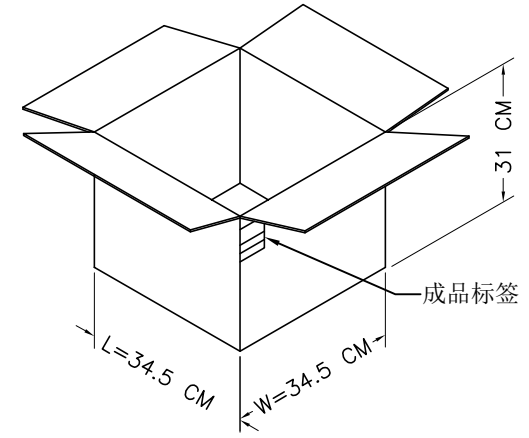
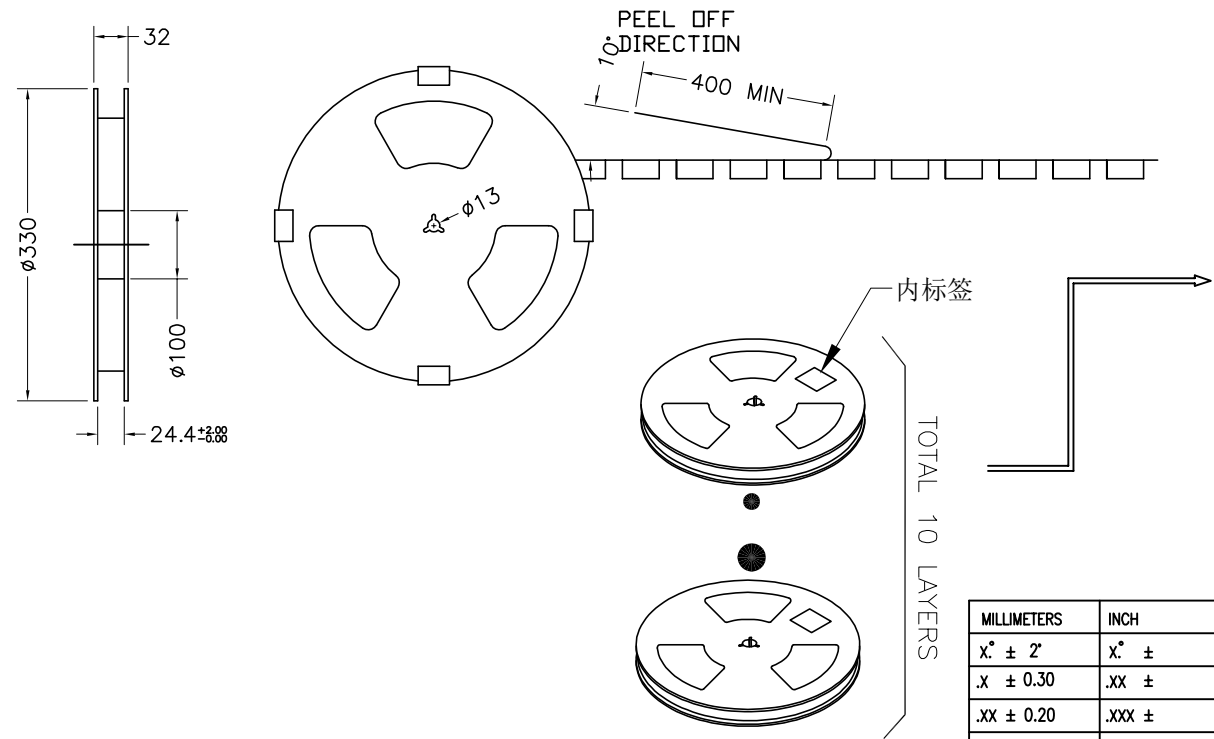
MILLIMETERS	INCH	UNITS	慈溪市卡连电子有限公司 CIXI CARDCONN ELECTRONIC CO., LTD						
X° ± 2'	X° ±	MM							
X ± 0.30	.XX ±	MAT'L	PART NUMBER: SCCTF0118501						
.XX ± 0.20	.XXX ±	SEE NOTES							
.XXX ± 0.10	.XXXX ±	FINISH	TITLE: TF CARD PUSH PUSH 1.85H						
		SEE NOTES							
		QTY	APPD: DWG NO.: SCC-TF0118501						
		SEE NOTES	CHKD: DR:						
THESE DRAWINGS AND SPECIFICATIONS ARE THE PROPERTY OF CIXI CARDCONN ELECTRONIC CO.,LTD. COPIED OR USED IN ANY MANNER WITHOUT THE PRIOR WRITTEN CONSENT OF CIXI CARDCONN ELECTRONIC CO.,LTD			<table border="1"> <tr> <td>SCALE</td> <td>SHEET</td> <td>REV.</td> </tr> <tr> <td>1:1</td> <td>1/2</td> <td>A0</td> </tr> </table>	SCALE	SHEET	REV.	1:1	1/2	A0
SCALE	SHEET	REV.							
1:1	1/2	A0							

RoHS

REV.	EC#	DESCRIPTION	DATE	DRAWING	CHECKED	APPROVED
------	-----	-------------	------	---------	---------	----------



1. 材质要求:
- 1.1 纸箱的材质要求为B=B;外形尺寸为 34.5*34.5*31CM;
 - 1.2 卷盘的材质为PS;卷盘的外形尺寸为 $\phi 330 \times 32$ MM;
 - 1.3 载带的材质为PS;载带规格 24 MM * 20.4 M
2. 包装要求:
- 2.1 将卷带放入包装机后, 前空10PCS MIN, 后放产品 1000 PCS, 再后空10PCS MIN;
 - 2.2 将包装好的产品从包装机上取下并包装好;
 - 2.3 把累叠好的产品从包装机上取下并包装好;
 - 2.4 把包装好的成品打包封箱, 并在纸箱外贴上标签



MILLIMETERS	INCH	UNITS	慈溪市卡连电子有限公司 CIXI CARDCONN ELECTRONIC CO., LTD		
X° ± 2'	X° ±	MM	PART NUMBER: SCCTF0118501	TITLE: TF CARD PUSH PUSH 1.85H	
X ± 0.30	.XX ±	MAT'L			
.XX ± 0.20	.XXX ±	SEE NOTES	APPD:	DWG NO.: SCC-TF0118501	
.XXX ± 0.10	.XXXX ±	FINISH	CHKD:	SCALE SHEET REV. 1:1 2/2 A0	
THESE DRAWINGS AND SPECIFICATIONS ARE THE PROPERTY OF CIXI CARDCONN ELECTRONIC CO.,LTD. COPIED OR USED IN ANY MANNER WITHOUT THE PRIOR WRITTEN CONSENT OF CIXI CARDCONN ELECTRONIC CO.,LTD		SEE NOTES	DR:		
		QTY			
		SEE NOTES			