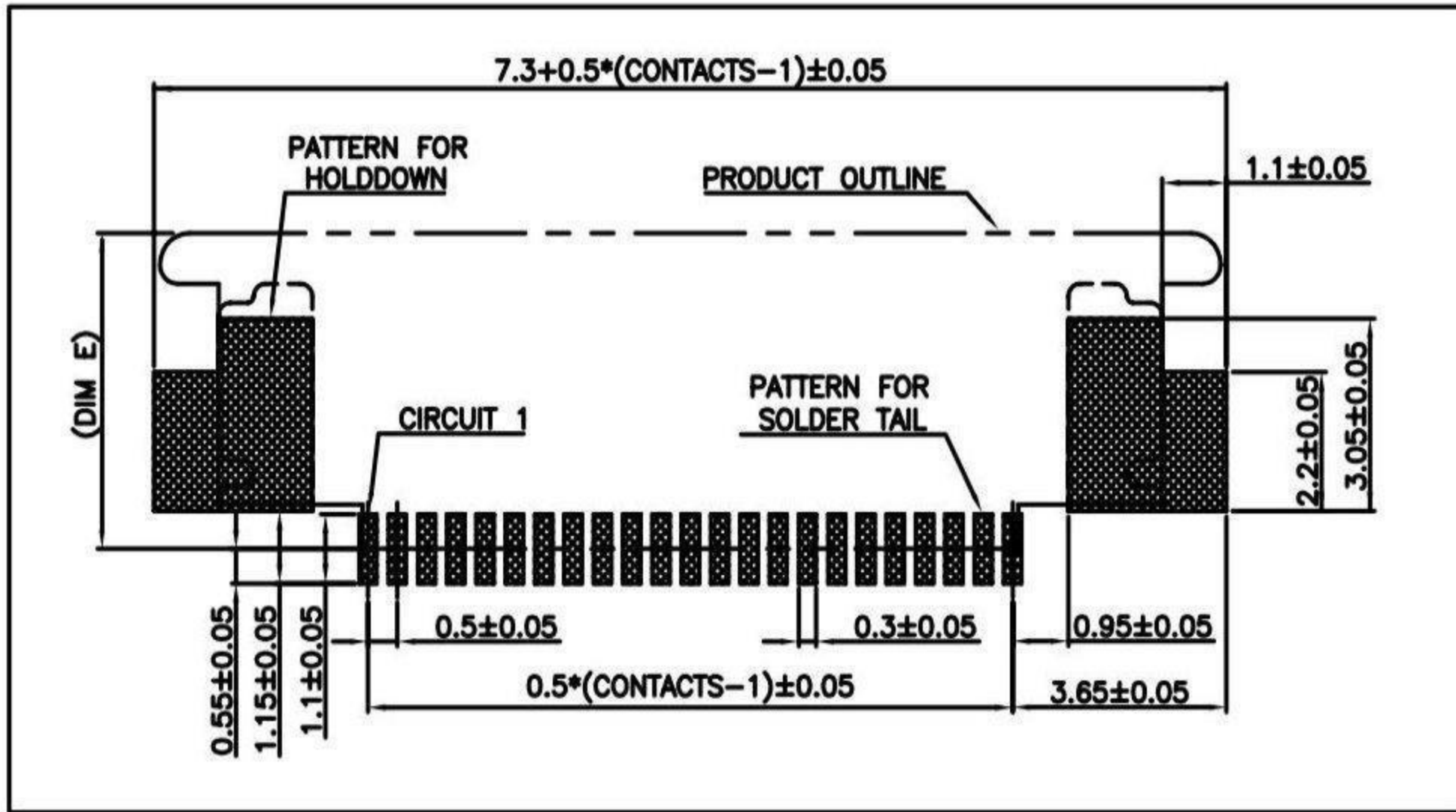


**Electrical**

Item	Requirement	Test Condition
Rated Voltage	50V(ac/dc)	
Rated Current	0.5Amp(ac/dc)	
Contact Resistance	20mΩ Maximum	Mate connectors measure by dry circuit 20mV max, 10mA.
Insulation Resistance	100MΩ Minimum	Mate connectors, apply 500V dc between adjacent terminal or ground.
Dielectric Strength	No Breakdown	Mate connectors, apply 250V ac for 1 minute between adjacent terminal or ground.



**RECOMMENDED PCB LAYOUT  
(COMPONENT SIDE)**

**NOTE**

- 1. MATERIALS: HOUSING: HEAT RESISTANCE PLASTIC UL94V-0
- COVER: HEAT RESISTANCE PLASTIC UL94V-0
- CONTACT: COPPER ALLOY
- LATCH: COPPER ALLOY

**3.DIMENSION:**

CKT	A	B	C	D	E
3	8.10	1.00	6.10		
4	8.60	1.50	6.60		
5	9.10	2.00	7.10		
6	9.60	2.50	7.60		
* 7	10.10	3.00	8.10		
8	10.60	3.50	8.60		
9	11.10	4.00	9.10		
10	11.60	4.50	9.60		
11	12.10	5.00	10.10		
12	12.60	5.50	10.60		
13	13.10	6.00	11.10		
14	13.60	6.50	11.60		
15	14.10	7.00	12.10		
16	14.60	7.50	12.60	0.80	5.00
17	15.10	8.00	13.10		
18	15.60	8.50	13.60		
19	16.10	9.00	14.10		
20	16.60	9.50	14.60		
21	17.10	10.00	15.10		
22	17.60	10.50	15.60		
23	18.10	11.00	16.10		
* 24	18.60	11.50	16.60		
25	19.10	12.00	17.10		
26	19.60	12.50	17.60		
27	20.10	13.00	18.10		
* 28	20.60	13.50	18.60		
29	21.10	14.00	19.10		
30	21.60	14.50	19.60		
31	22.10	15.00	20.10		
32	22.60	15.50	20.60		
33	23.10	16.00	21.10		
34	23.60	16.50	21.60		
35	24.10	17.00	22.10		
36	24.60	17.50	22.60		
37	25.10	18.00	23.10		
38	25.60	18.50	23.60		
39	26.10	19.00	24.10		
40	26.60	19.50	24.60		
41	27.10	20.00	25.10		
42	27.60	20.50	25.60		
* 43	28.10	21.00	26.10		
44	28.60	21.50	26.60	1.20	5.40
45	29.10	22.00	27.10		
* 46	29.60	22.50	27.60		
* 47	30.10	23.00	28.10		
* 48	30.60	23.50	28.60		
49	31.10	24.00	29.10		
50	31.60	24.50	29.60		
* 51	32.10	25.00	30.10		
* 52	32.60	25.50	30.60		
53	33.10	26.00	31.10		
54	33.60	26.50	31.60		
55	34.10	27.00	32.10		
* 56	34.60	27.50	32.60		
57	35.10	28.00	33.10		
* 58	35.60	28.50	33.60		
59	36.10	29.00	34.10		
60	36.60	29.50	34.60		

Remark "\*" Without mould. First order must charge mould cost.

RoHS Compliant		<b>HSM 玄茂科技股份有限公司</b>	
		<b>HSUAN MAO TECHNOLOGY CO., LTD.</b>	
APPD. 核准 BETTY	SCALE 比例 参考	TOLERANCE 容許公差 .0 ± 0.25 .00 ± 0.20 ANG. ± 2°	PART NAME 品名 FPC/FFC ZIF 0.5mm SMT TYPE HORIZONTAL TYPE XXP LOWER CONTACT TUBE PACKING TIN PLATING IVORY COLOR ROHS
DWG. 製圖 KAREN	UNIT 單位 MM	SIZE 紙張尺寸 A4	PART NO. 料號 C3917-XX(U,B)TXI00R
DATE 制表日 2012/08/09	PAGE 張數 2 OF 2	REV. 版本 B	