



AS53F
(JQX-53F)

AS53FS
(JQX-53FS)

AS53F-LT
(JQX-53F-N-S)



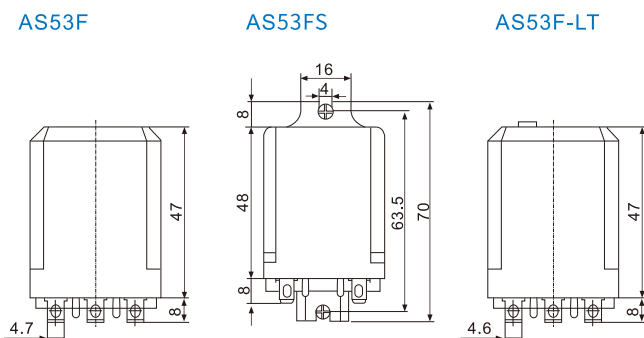
Specifications

Contact Form	2Z	3Z
Rated Load (Resistive property)	10A 277VAC/30VDC 16A 277VAC/30VDC 25A 277VAC/30VDC	
Contact	Electrical/Mechanical Life	≥100000times/10000000times
	Initial Contact Resistance	≤100MΩ (1A 6VDC)
	Contact Material	AgSnO ₂
	Insulation Resistance	≥1000MΩ (500VDC)
	Dielectric Strength	Between open contacts≥1000VAC/1min Between poles≥1500VAC/1min Between contact and coil≥2500VAC/1min
Characteristics	Operate/Release Time	≤25ms/25ms
	Terminal Type	Plug/Wire/Quick Connection
Coil	Operating PowerDC/AC	10A/16A:1.2W/2.5VA 25A:1.5W/2.5VA

DC Coil Data

Rated Voltage VDC	Pickup Voltage VDC	Dropoff Voltage VDC	Coil Resistance (Ω±10%)	
			1.2W	1.5W
12	9.6	1.2	120	96
24	19.2	2.4	480	380
48	38.4	4.8	1920	1540
60	48.0	6.0	3000	2400
120	82.3	11.6	12000	9600

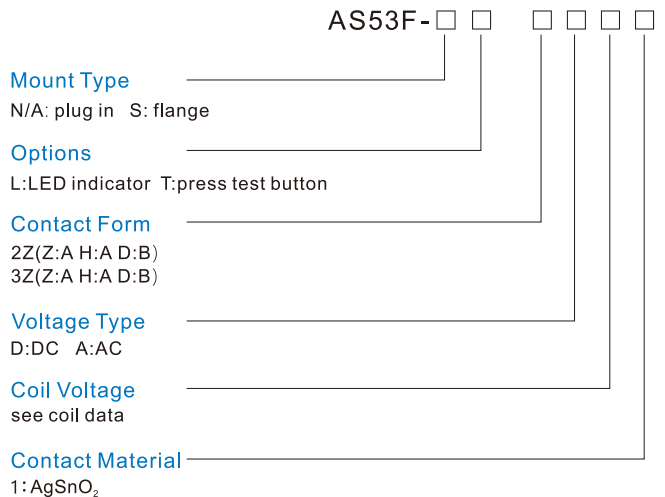
Dimensions (mm)



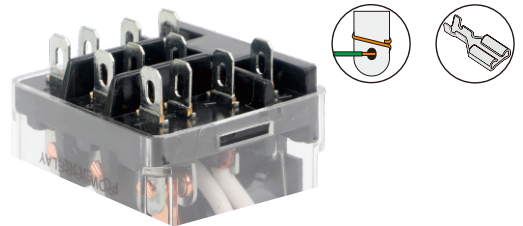
Features

- ◆ flange mount cover available
- ◆ with press test button
- ◆ matched sockets PEF□A

Ordering Information



Notes: We has now gradually updated our ordering information. We suggest new type should be selected. If necessary, old type can be kept for some period for the old customers.



Plug/Wire/Quick Connection

AC Coil Data

Rated Voltage VAC	Pickup Voltage VAC	Dropoff Voltage VAC	Coil Resistance (Ω±10%)
12	9.6	3.6	20
24	19.2	7.2	81
48	38.4	14.4	320
120	88.0	36.0	2000
220	176.0	72.0	6700

Wiring Diagrams

