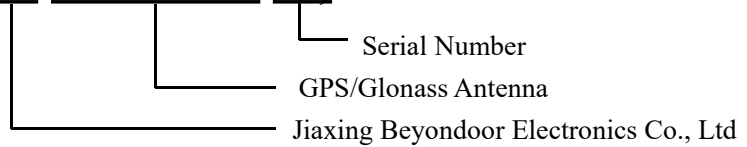




GPS/Glonass Antenna Specification

(Model: **BY-GPS/Glonass-06**)



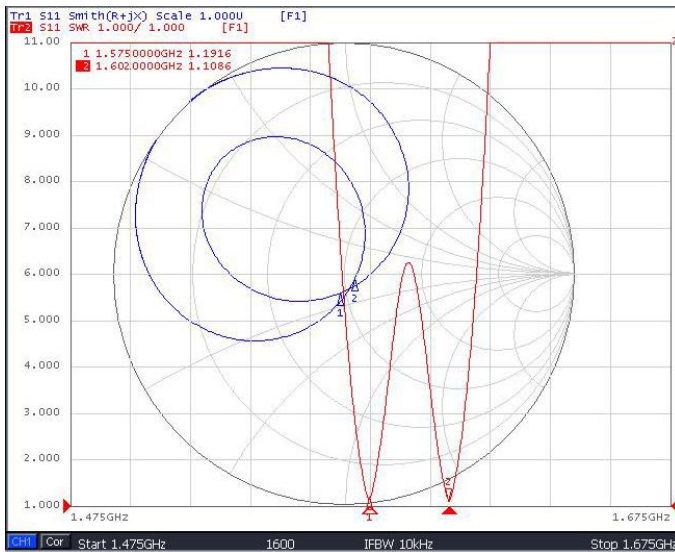
(i) Dielectric Antenna

Frequency (MHz) : 1575/1602
 Center Frequency (MHz) : 1590
 VSWR: 1.5:1
 Bandwidth (MHz) : ±5
 Impedance (Ω) : 50
 Peak Gain >3dBi Based on 7cm×7cm ground plane
 Gain Coverage >-4dBi at -90°<0 <+ 90°(over 75% Volume)
 Polarization: RHCP

(ii) LNA/Filter

LNA Gain (Without cable) : 28 dBi Typical
 Noise Figure (dB) : 1.5
 Filter Out Band Attenuation (f0=1595 MHz)
 20dB Min f0+/-50MHz ;
 VSWR <2.0
 DC Voltage (V) : 2.7 - 5.0
 DC Current (@3.3v,mA) : 12

(iii) VSWR. And Gain



JIAXING BEYONDOOR ELECTRONICS CO.,LTD

Address: #101, Weiye West Road, Dongzha Economic Zone ,Jiaxing 314000,Zhejiang,China

<http://www.beyondoor.com>

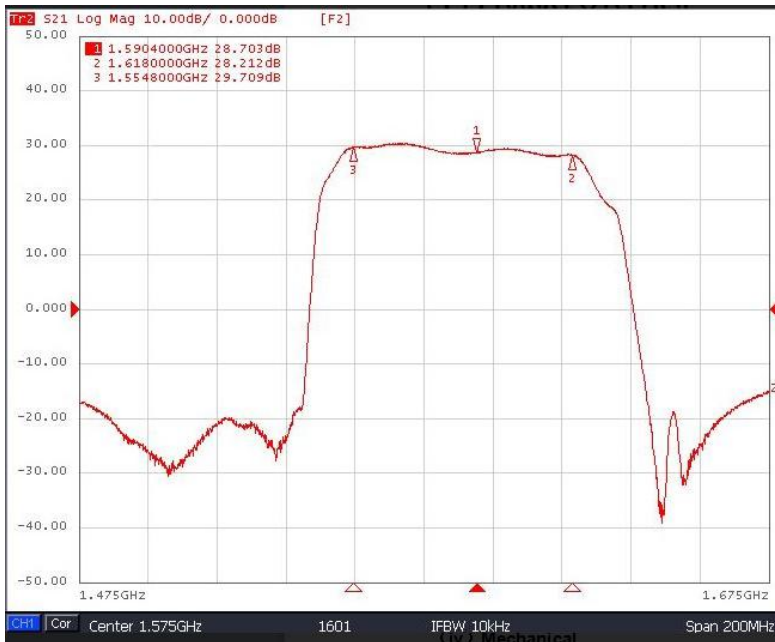
Tel:+86-573-82127009

Fax:+86-573-82052070

E-MAIL: sales@beyondoor.com or

firstgps@hotmail.com

SKYPE NAME:beyondoorgps



(iv) Mechanical

Weight (gram) <100

Size (mm) : $\Phi 46 \times 15$

Cable Length (m) : 0.3 RG174

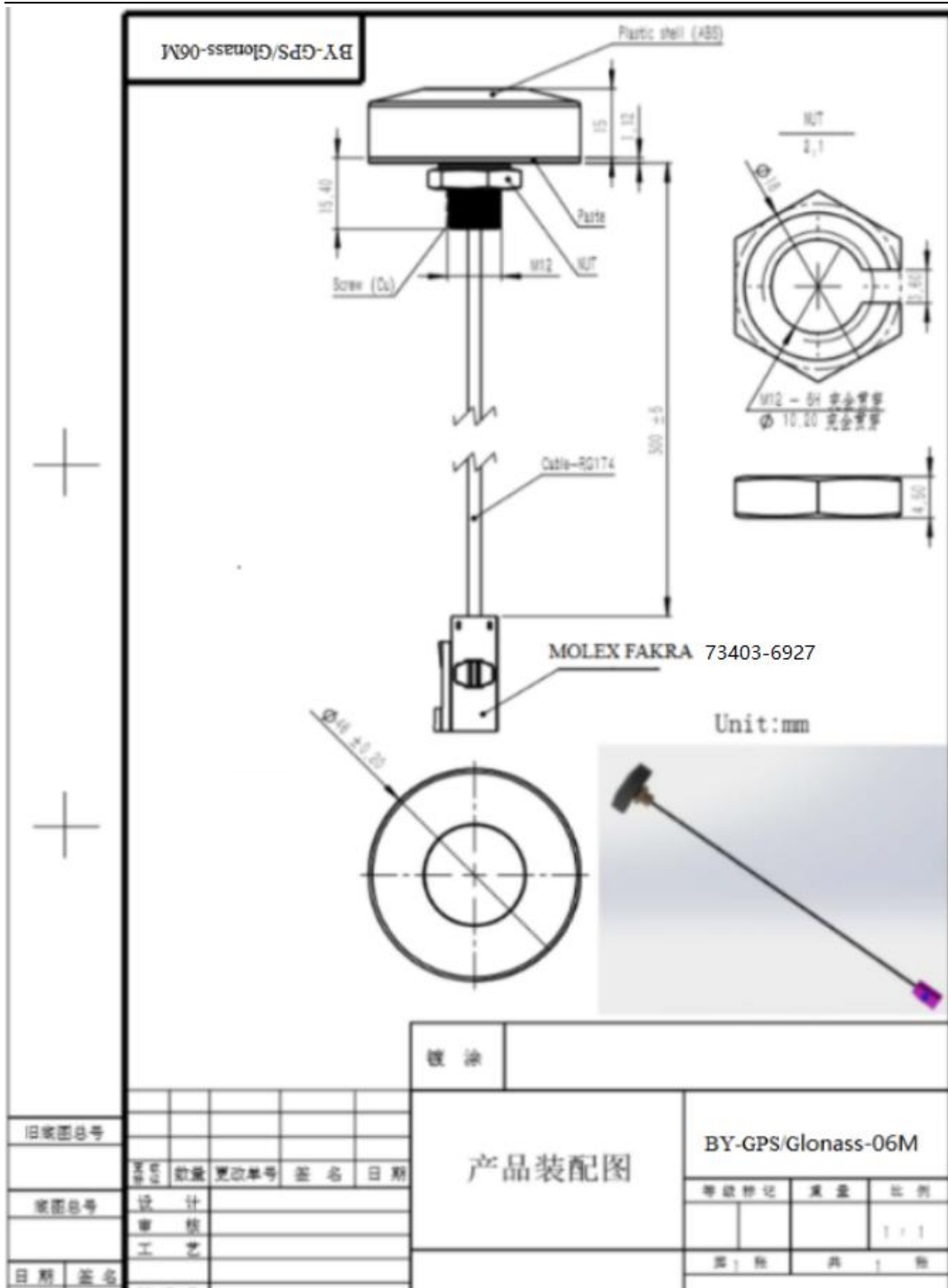
Connector: MOLEX FAKRA 73403-6927

white film

without washer

Mounting: Screw mount

Housing: Black



MATERIALS AND FINISHES

BODY: BRASS
PLATED: NICKEL (70u-in MIN)

CENTER CONTACT: PHOSPOR BRONZE
PLATED: SELECTIVE GOLD (1u-in MIN AT TIP)
PLATED: TIN (50u-in MIN REST OF PART)

CRIMP TUBE: BRASS
PLATED: NICKEL (70u-in MIN)

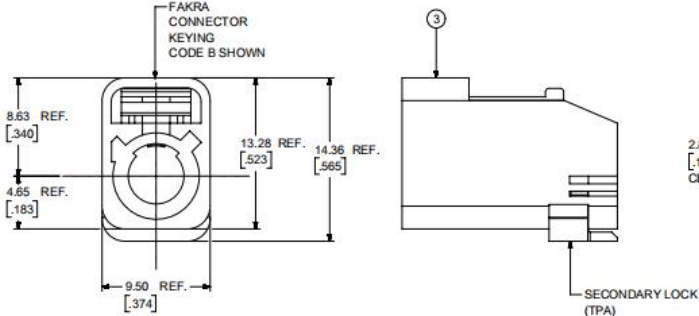
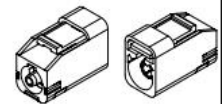
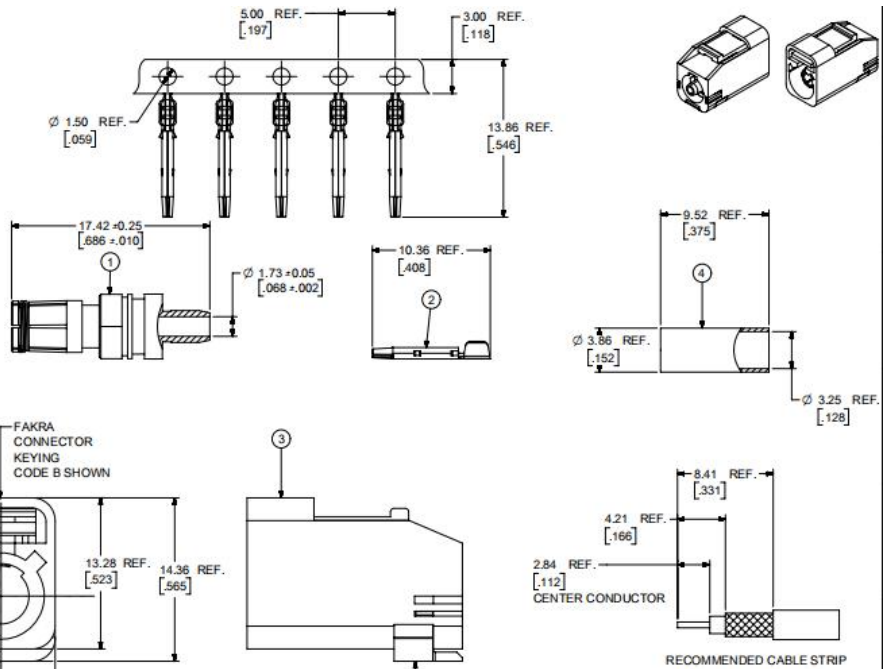
OUTER CASING: NYLON 66 OR EQUIVALENT
KEYING: SEE TABLE
COLOR: SEE TABLE

INSULATOR: POLYPROPYLENE, UL94V-0

PACKAGING BY BAG

NOTE:

1. 250 PCS (89618-43XX) PER ZIPLOCK BAG.
NOTICE: THE BAG MUST BE COMPLETELY SEALED.
2. STORAGE CONDITIONS:
TEMPERATURE: -10° TO 40° C HUMIDITY <=75%



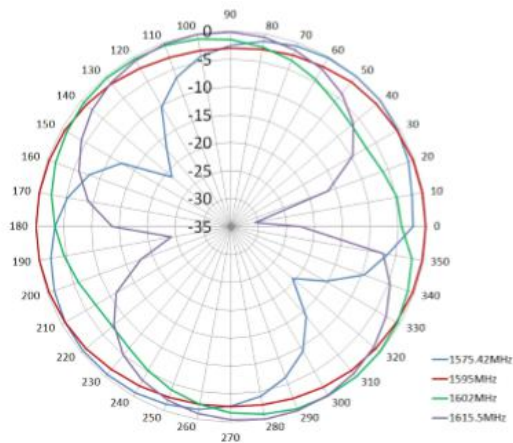
4	89674-0805	CRIMP TUBE	1
3	SEE SHEET 2	SHROUD WITH TPA	1
2	89538-0251	CENTER CONTACT	1
1	89618-4340	SMB PLUG STR. FOR RG316	1
	PART NO.	DESCRIPTION	QTY

PS-89675-331	PRODUCT SPECIFICATION
DIN 72594-1	INTERFACE SPECIFICATION
SPECIFICATION	DESCRIPTION

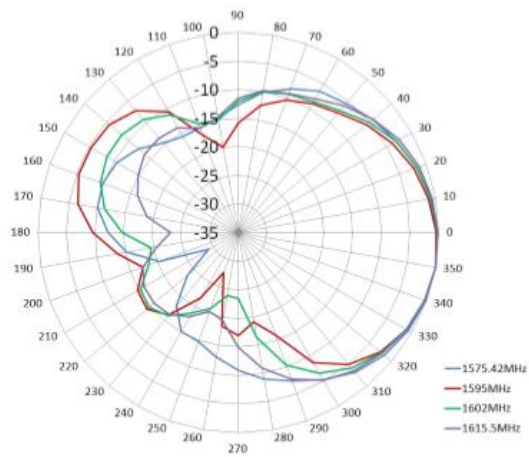
2020/02/07	C3	INSULATOR ADD UL94V-0 PER EWR13590-A
2018/04/18	C2	REMOVE TITLE II PER 11896
2017/01/23	C1	ADDED TOLERANCE
DATE	REV.	DESCRIPTION

THE INFORMATION ON THIS DRAWING IS THE PROPERTY OF MOLEX. IT IS TO BE USED ONLY FOR THE SPECIFIC PARTS AND ASSEMBLIES IDENTIFIED ON THIS DRAWING.		molex	
HYBRID NTS	EC NO: 6318-66	FAKRA PLUG STR. FOR RG316/174 CABLE FAKRA_IPC	
GENERAL TOLERANCES (UNLESS OTHERWISE SPECIFIED)	DRWN: CWF/BJZ CHKD: YC/CHG APPR: YC/CHG	PRODUCT CUSTOMER DRAWING	
ANGULAR TOL. ± 1.0°	INITIAL REVISION:	SECURITY NUMBER	DOC TYP. (DOC NO.)
1 PLUGS ±	DRWN: ELIN APPR: YC/CHG	SD-73403-692	PSD 001 C3
2 PLUGS ±	DATE: 2019/09/29	MATERIAL NUMBER	PART NUMBER
3 PLUGS ±	DATE: 2019/09/29	DRAWN	CHECKED
4 PLUGS ±	DATE: 2019/09/29	DRAWN	CHECKED
5 PLUGS ±	DATE: 2019/09/29	DRAWN	CHECKED
6 PLUGS ±	DATE: 2019/09/29	DRAWN	CHECKED
7 PLUGS ±	DATE: 2019/09/29	DRAWN	CHECKED
8 PLUGS ±	DATE: 2019/09/29	DRAWN	CHECKED
9 PLUGS ±	DATE: 2019/09/29	DRAWN	CHECKED
10 PLUGS ±	DATE: 2019/09/29	DRAWN	CHECKED

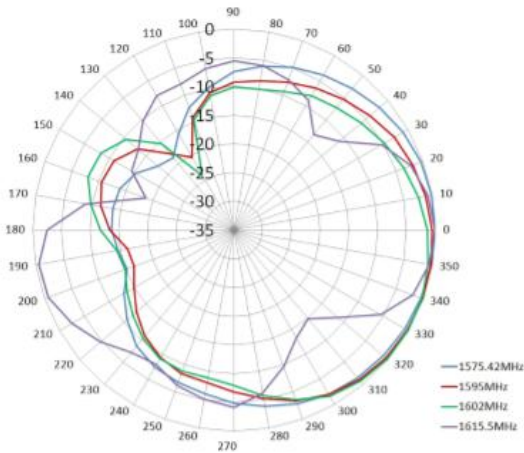
(v) Radiation Pattern



XY Plane



XZ Plane



YZ Plane

(vi) Environmental

Working Temp: -40°C~+85°C

Storage Temp: -45°C~+100°C

Vibration: Sine sweep 1g(0-p)10~50~10Hz each axis

Humidity: Humidity95%~100%RH

Weatherproof: 100%Waterproof

JIAXING BEYONDOOR ELECTRONICS CO.,LTD

Address: #101, Weiyi West Road, Dongzha Economic Zone ,Jiaxing 314000,Zhejiang,China

<http://www.beyondoor.com>

Tel:+86-573-82127009

Fax:+86-573-82052070

E-MAIL: sales@beyondoor.com or fristgps@hotmail.com

SKYPE NAME:beyondoorgps