

General Description:

CABO low voltage shunt capacitor of the self-healing type round capacitor is use for correcting the power factor of 50Hz and 60Hz low voltage power system device. It is suit for compensation on the spot and concentrate auto compensation, can reduce reactive loss, improve voltage quality, is a energy conservation product.

The product is according to IEC831-1/2.

Working Condition:

1.Altitude: lower than 2000m

2.Ambient temperature -25℃ - 50℃

3.Humidity: smaller than 90%

4.After the power cut off, reputing when make sure the remain voltage is smaller than 10% of the rated voltage, usually this time is 200s, so the controller you use should has the function of time delay for reputing after cut off.

Structure Characteristics:

1.Use cylinder aluminium tin sealed.

2.Use micro crystalline wax and healthy dielectric oil as the impregnant.

3.It has built-in pressure separation device and discharge resistor.

4.Use dielectric metallized polypropylene film as medium.

5.In the top of the capacitor is electric shock resistant protection connecting terminal.

6.In the bottom is M12 or M16 earth ground screw.

7.All the three phase capacitor is triangle connection inside.

Main technical characteristics:

1.Rated voltage: 0.23kv, 0.4kv, 0.415kv, 0.45kv, 0.525kv and so on.

2.Rated output: 1-30kvar.

3.Capacitance tolerance: -5% - 10%.

4.Tangent of the loss angle: smaller than 0.1%.

5.Between terminals withstand voltage:2.15 times rated voltage for 5 seconds.

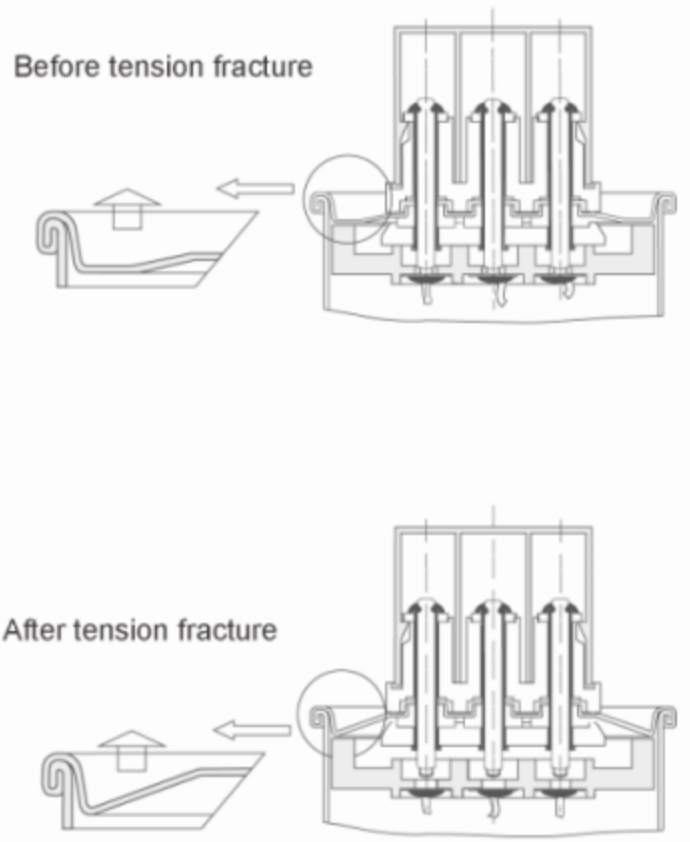
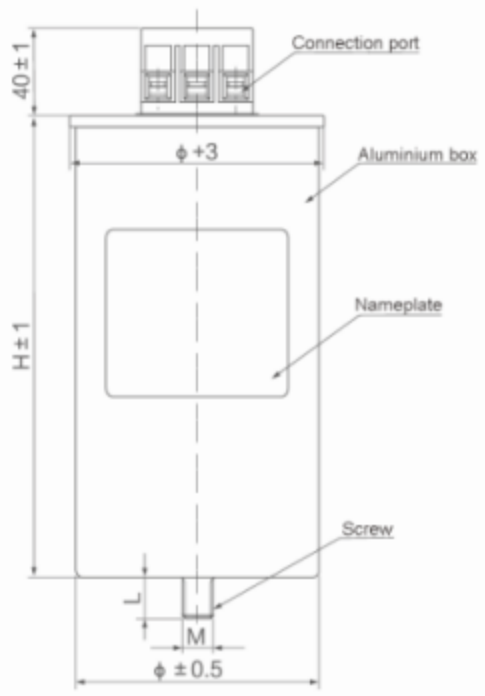
6.Dielectric level: add voltage between terminal and case: 2times of rated voltage add 2KV or 3KV, choose the higher one, it takes 10s, no spark over or flash.

7.Max permissible over-current: when 1.1 times rated voltage, it can not exceed 8 hours per day; when 1.15 times rated voltage, it can not exceed 30 minutes per day, when 1.2times voltage, can not exceed 5 minutes per day, 1.3times rated voltage, can not exceed 1 minutes per day.

8.Max permissible over-current: 1.3times of rated current, but consider to the voltage, capacitance tolerance and harmonic, the transient current can not exceed 1.43 times of rated current.

9.Discharge feature: it has built-in discharge resistor, discharge 3 minutes, the voltage will down to below 50V after the capacitor cut off the power.

10.According to the IEC60831-2002 standard.



THREE PHASE CAPACITOR

Model BKMJ-C	Rated Voltage (kV)	Rated Output (kVar)	Rated Current (A)	Dimensions (mm)	Installation Size M x L (mm)
0.4-25-3	0.4	25	36.1	$\phi 96 * 290 / P2$	M16*25
0.44-28-3	0.44	28	36.8	$\phi 106 * 290 / P2$	M16*25