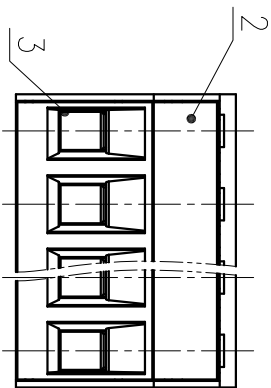
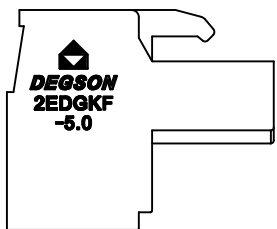
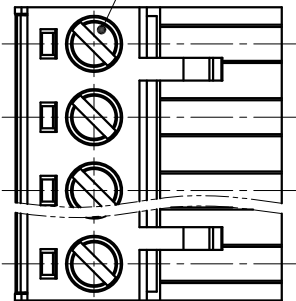
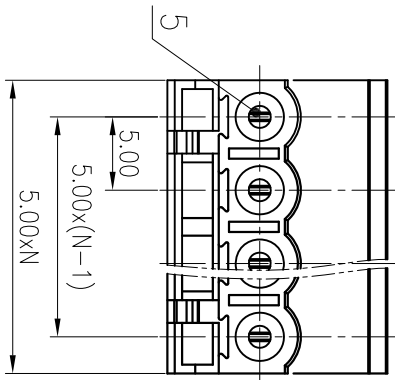
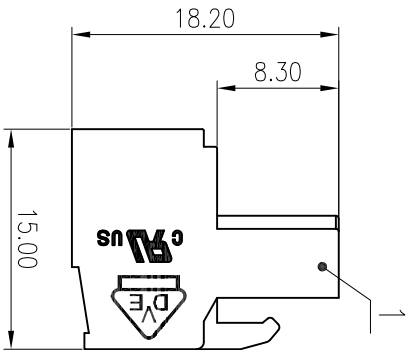
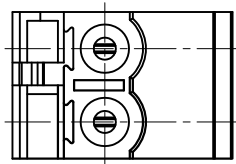


02P



公差/General Tolerances(mm)		公差/General Tolerances(mm)	
0	>3	>6	>18
~	~	~	~
3	6	10	18
~	~	~	~
±0.12	±0.18	±0.22	±0.26
±0.31	±0.37	±0.57	±0.80
±1.05	±1.15	±1.60	±2.20
±2.50	±2.50	±2.50	±2.50
~	~	~	~
0.1/10	~	~	~
±Z	~	~	~

5	Clamp	Copper Alloy	Sn Plated
4	Screw	Steel	M3/Zn Plated
3	Cage	Copper Alloy	M3/Ni Plated
2	Cover	PA66	UL94V-0
1	Housing	PA66	UL94V-0
ITEM	NAME OF PART	MATERIAL	NOTES
UL 标准/UL Standard:		B	C
额定电压/Rated Voltage(V)	Current(A)	300/15	300/10
IEC 标准/IEC Standard:			
过压类别/Overvoltage Category/污染等级/Pollution Degree		III/2	
额定电压/Rated Voltage(V)	Current(A)	320/20	
额定脉冲电压(KV)/Rate Impulse Voltage(KV)		4.0	
螺栓扭矩/Torque Tightening(N·m/Lb·in)		M3: 0.5/4.43	
线缆范围(硬线和软线)/Wire Range(rigid and flexible)(mm ² /AWG)		0.2~2.5/28~12	
间距/Pitch(mm)/线缆范围/Poles		5.00/N=02~22P	
剥线长度/Stripping length(mm)		7~8	
使用温度范围/Operating temperature(°C)		-40~+105	
符合RoHS环保要求/Conform to RoHS		Yes	
标准颜色编号/Standard color number:		Cool Gray 11 U	
PANTONE / RAL			

MATERIAL: / SURFACE: /

MAT NO.: /

STATUS: /

APPD: /

CHKD: Zhang YH202220801

DRAFT: Chen DH202220801

NAME: 宁波高松电子有限公司
NINGBO DEGSON ELECTRICAL CO., LTD

2EDGKF-5.0-XXP-11-1066A(H)

DRAWING NO.: /

TYPE: CUSTOMER DRAWING

SCALE: 2:1



SIZE: A4



TYPE: CUSTOMER DRAWING

SCALE: 2:1

SHEET

1/1

REV

DO-1

1/1