



料号P/N	键位 KEY	线束规格 Wire Snec	适配线径 (IP67) OD of Wire (IP67)	备注Remarks
FHV60*291CN-70***	KEY-N	70mm <sup>2</sup> 屏蔽 Shield	φ 17.7~ φ 18.4mm	剥线机拉线时滚轮挤压线缆, 致使线缆变形; 此变形会影响线束穿过后盖的顺畅性。客户选线时要考虑到该变形量。 When the stripping machine pulls cable, the wire will be deformation, due to roller pressing; that will affect the smoothness of wire passing through back cover. So customers should consider the deformation when selecting wire.
FHV60*291CX-70***	KEY-X			
FHV60*291CY-70***	KEY-Y	非屏蔽 Un-Shield	φ 14.2~ φ 15.0mm	
FHV60*291CZ-70***	KEY-Z			

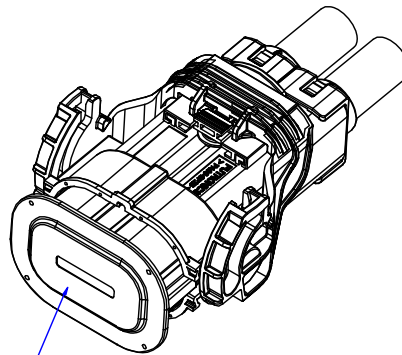
1: IP67  
2: IP6K9K  
3: ..... etc  
0: 推杆在上方 (依图纸所示默认方向) Put rod in the above  
1: 推杆在下方 Push rod in the following  
S: 屏蔽 Shield  
U: 非屏蔽 Un-shield  
键位 (N, X为常用键位)  
KEY (N&X are standing keys)  
—1: 互锁 With interlock  
—0: 无互锁 Without interlock

屏蔽线内绝缘层直径 φ 14.6mm max  
For shield wire, the OD of Insulation is 14.6mm max

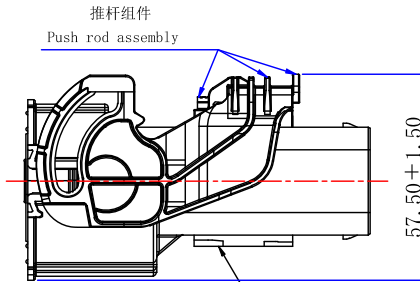
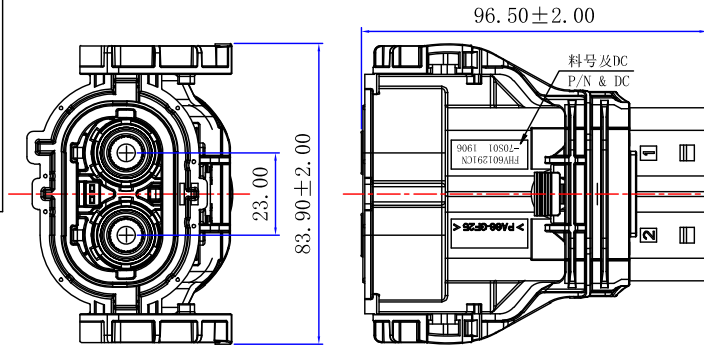
## NOTE:

- 外观表面无划痕、划伤、污渍、异物等缺陷;  
No scratches, scratches, stains, foreign matters and other defects on the appearance surface;
- 产品功能说明参考table 1;  
Refer to table 1 for product function description
- 产品使用PE袋+纸箱包装;  
Products are packed in PE bags + cartons
- 产品符合ROHS;  
Products comply with RoHS
- 产品符合LV215、USCAR-2等标准;  
Products comply with lv215, uscar-2 standards
- 该系列产品常规防护等级为IP67, 客户所使用线束需符合上表线径要求; 若线束线径不在要求范围内, 需提前告知我司, 我司可“酌情”特制防水圈  
The protection grade of products is IP67, and the wire used by the customer shall meet diameter requirements of the above table; if the diameter of wire is not within the required range, please informing our company in advance, and our company may make special waterproof ring when the quantity is enough large
- 若客户需达到IP6K9K防护等级, 请提供符合国家标准之线束实物, 我司可依线束定制后盖及防水圈, 以达到IP6K9K防护等级  
If the customer needs to reach the ip6k9k protection level, please provide wire that conforming to the national standard, Our company can customize the back cover and waterproof ring, to achieve ip6k9k protection level

项目 Item	规格SPEC
额定电流 rated current	250A
接线规格 wire spec	70mm <sup>2</sup>
工作电压 Operating voltage	DC1000V
工作温度 Operating temperature	-40℃~+125℃
耐电压 withstand voltage	3000V AC
绝缘电阻 insulation resistance	5000 M Ω MIN(干燥 drying) 200 M Ω MIN(RH 95%)
盐雾 salt fog	144H (配合状态下 matching state)
防护等级 protection Level	IP67B/IP6K9K
插拔寿命 Durability life	500次 500cycling
接触电阻 Contact resistance	0.3 m Ω max
互锁 Inter-Lock solution	可选 option
屏蔽 EMI immunity	可选 option

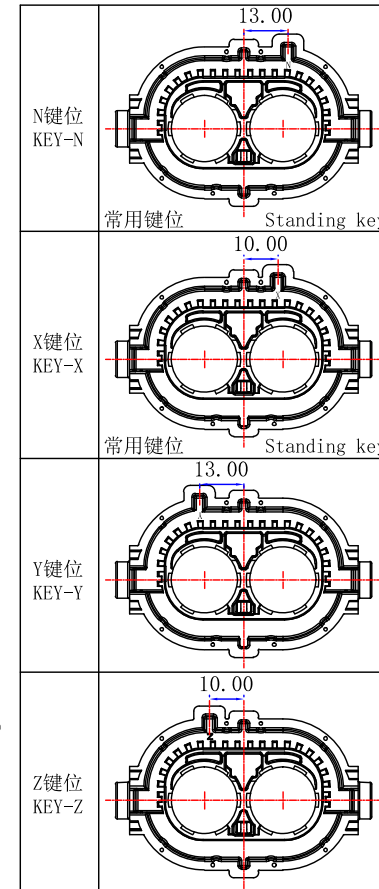


- 防尘盖选配, 需单独下单  
Dust cover is optional, order separately
- 料号: F1-P60146-0W  
P/N: F1-P60146-0W



推杆组件可根据客户需求安装在  
在该位置(推杆位置代码为: 1)  
Push rod assembly can be  
installed in this position  
according to customer's  
requirements (Push rod  
location code for: 1)

发行版本 Revision	修改内容 Description	制图 Drawing	日期 Date
A / 0	First release	Xiong	2024.01.22



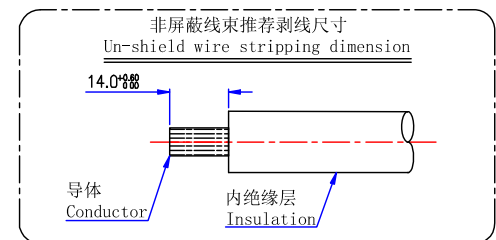
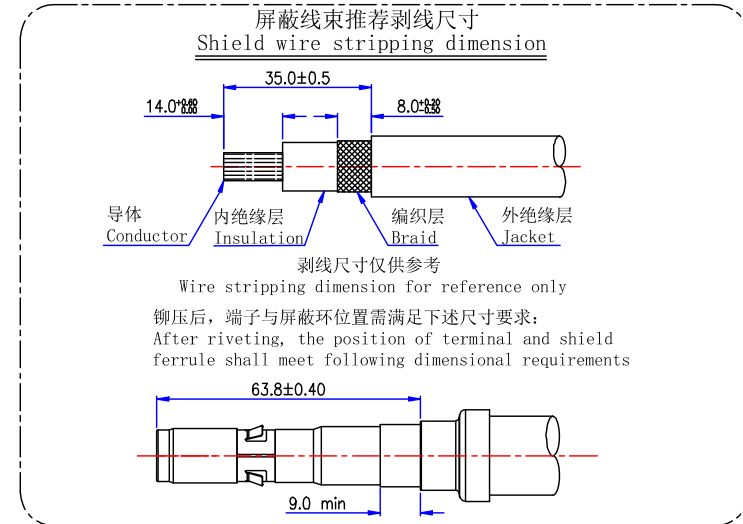
RENHOTEC GROUP

客户料号 Cus' P/N	图号 File No.	RHT-715-0015	品名 Name	2芯70平方塑胶高压连接器-直头 2-core 70 square plastic high voltage connector - Straight head	
未注公差 Unless Otherwise Specified		单位 Unit	mm	版本 Revision	A/0
线性 Linear	0.5~6 ±0.2 >6~30 ±0.3 >30 ±2%	比例 Scale	—	图纸确认 APPROVAL	日期 Date
角度 Angles	±3°	页码 Page	1 / 2	绘图 Drawing	Xiong
Third Angle Projection			审核 Checked	Jim	2024.01.22
			客户确认 Customer Approved		



1	2	3	4	5	6
发行版本 Revision		修改内容 Description		制图 Drawing	日期 Date
A / 0		First release		Xiong	2024.01.22

辅件说明 Accessory description					
品名 Part name	外形 Appearance	适配线缆规格 Wire Spec	料号 P/N	用量 Quantity	备注 Remarks
后盖 Back cover		70平方屏蔽线 70mm <sup>2</sup> shield wire	F1-P10166-0A	2PCS	IP6K9K规格需依线束实物定制 IP6K9K spce, to be customized according to the actual wire
		70平方非屏蔽线 70mm <sup>2</sup> un-shield wire	F1-P0048-0A		
防水圈 Single wire seal		70平方屏蔽线 70mm <sup>2</sup> shield wire	F2-R10080-0W	2PCS	IP6K9K规格需依线束实物定制 IP6K9K spce, to be customized according to the actual wire
		70平方非屏蔽线 70mm <sup>2</sup> un-shield wire	F2-R10033-0W		
外屏蔽管 Outer Shieldferrule		70平方屏蔽线 70mm <sup>2</sup> shield wire	F5-C20078-03	2PCS	非屏蔽规格, 不需配置 un-shield spec, don't need
内屏蔽管 Inner Shieldferrule		70平方屏蔽线 70mm <sup>2</sup> shield wire	F5-C20079-03	2PCS	非屏蔽规格, 不需配置 un-shield spec, don't need
机加工端子 CNC terminal		70平方线 70mm <sup>2</sup> wire	F5-C10056-11	2PCS	



<b>仁昊伟业 RENHOTEC GROUP</b>					
客户料号 Cus' P/N		图号 File No.	RHT-715-0015	品名 Name	2芯70平方塑胶高压连接器-直头 2-core 70 square plastic high voltage connector - Straight head
未注公差 Unless Otherwise Specified		单位 Unit	mm	版本 Revision	A/0
线性 Linear	0.5~6 ±0.2	比例 Scale	—	图纸确认 APPROVAL	
	>6~30 ±0.3			绘图 Drawing	Xiong
角度Angles	>30 ±2%	页码 Page	2 / 2	审核 Checked	Jim
		Third Angle Projection		客户确认 Customer Approved	
				日期 Date	2024.01.22