



腾祥电子
TENGXIANG ELECTRONIC

Tengxiang Technology.Inc

Product Number: AN1516-3607SM-3M


Specification For Approval

Customer: _____

Customer P/N: _____

Tengxiang P/N: AN1516-3607SM-3M

Description : GPS+GLONASS 28dBi RG1743m SMA公头公针二级放大带滤波器

Tengxiang Checked By:	Customer Approved By:
工程: 路婷 射频: 韦佳 	



腾祥电子
TENGXIANG ELECTRONIC

Tengxiang Technology.Inc

NO.53 Shatou ShaChong Road, ChangAn Town, Guangdong province, China

TEL:86-769-81873082 FAX:86-769-82663788

<http://www.tengxiang.cn>

Product Number: AN1516-3607SM-3M

Product Name: GPS+GLONASS Antenna

1. Specification

Sample Photo	
	
A. Electrical Characteristics	
Electrical Characteristics-Antenna	
Frequency	1590 ± 3MHz
V.S.W.R	<= 1.8
Impedance	50 Ohm
Gain	3dB
Polarization Type	RHCP
Electrical Characteristics-LNA	
Frequency	1575.42MHz 1602MHz
DC Voltage	2.8V-5.0V
Gain	28±2dB
Output VSWR	1.5
Noise Figure	3dB
DC current	9±2mA @DC3.3V
B. Material & Mechanical Characteristics	
Material of Radiator	Ceramics+ Silver
Material of Plastic	Body1: ABS Body2: ABS
Cable Type	RG-174
Connector Type	SMA PIUG



腾祥电子
TENGXIANG ELECTRONIC

Tengxiang Technology.Inc

Product Number: AN1516-3607SM-3M

Product Name: GPS+GLONASS Antenna

Connector Pull Test	>= 5 Kg
Connector Torque Test	/
C. Environmental	
Operation Temperature	- 30 °C ~ + 70 °C
Storage Temperature	- 30 °C ~ + 70 °C

2. Characteristics and Reliability Test

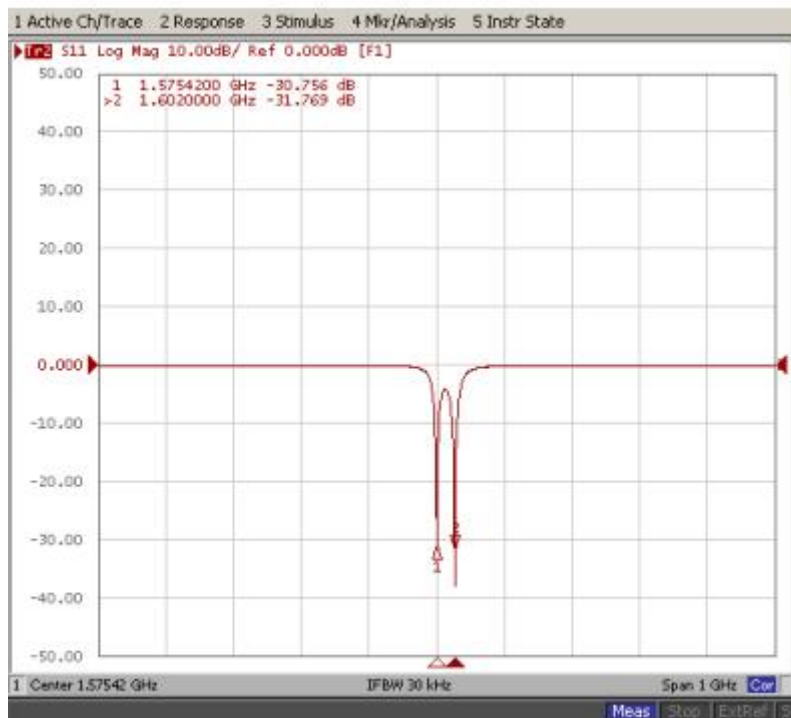
Test Items		Test Condition and Procedure	Requirements
C1	S.W.R.	Set DUT on Network Analyzer; make individual calibration to test	Directive DUT specification
C2	Antenna Gain	Set DUT on Antenna Chamber; make individual calibration to test	Directive DUT specification
M1	Vibration	MIL-STD-202G, 201A Amplitude: 0.03 inch (0.76mm); Freq: 10 to 55 Hz 3 directions; 2 hours for each direction	1. No Visual Damage 2. Frequency Tol.<= 5%
M2	Random Drop	Height: 1.5 Meter; 3 directions; 1 time for each direction	1. No parts separated 2. Frequency Tol.<= 5%
M3	Solderability	MIL-STD-202G, 210F, cond. A Solder iron: 350±10°C; Duration: 5 seconds	1. Mounted on PCB 2. No Visual Damage
M4	Terminal-Pull Test	MIL-STD-202G, 211A, cond. A Holding with individual specification; force applied to axis of terminal	1. Directive DUT specification 2. Frequency Tol.<= 5%
M5	Terminal-Torque Test	MIL-STD-202G, 211A, cond. E Holding with individual specification; applied clockwise and counterclockwise to the axis of terminal	1. Directive DUT specification 2. Frequency Tol.<= 5%
M6	Dimension	Inspection of dimension, color, material, package, surface process	Directive DUT specification
E1	Salt Spray	MIL-STD-202G, 101E, cond. B Temp: 35°C; RH: >= 95%; NaCl solution: >= 5%; Time: 48 hours	After 2 Hours Recovery 1. No Visual Damage 2. Frequency Tol.<= 5%
E2	Humidity	MIL-STD-202G, 103B, cond. B Temp: 40°C; RH: >= 95%; Time: 48 hours	After 2 Hours Recovery 1. No Visual Damage 2. Frequency Tol.<= 5%
E3	Thermal Shock	1 Cycle: - 40°C (30 minutes) to + 80°C (30 minutes) Cycles: 24	After 2 Hours Recovery 1. No Visual Damage

Product Number: AN1516-3607SM-3M

Product Name: GPS+GLONASS Antenna

			2. Frequency Tol.<= 5%
E4	Life (High Temp.)	MIL-STD-202G, 108A, cond. A Temp: 85°C; Time: 96 hours	After 2 Hours Recovery 1. No Visual Damage 2. Frequency Tol.<= 5%
R1	RoHS	With Reference to IEC 62321:2008 with flow chart	Directive RoHS 2015/863/EU

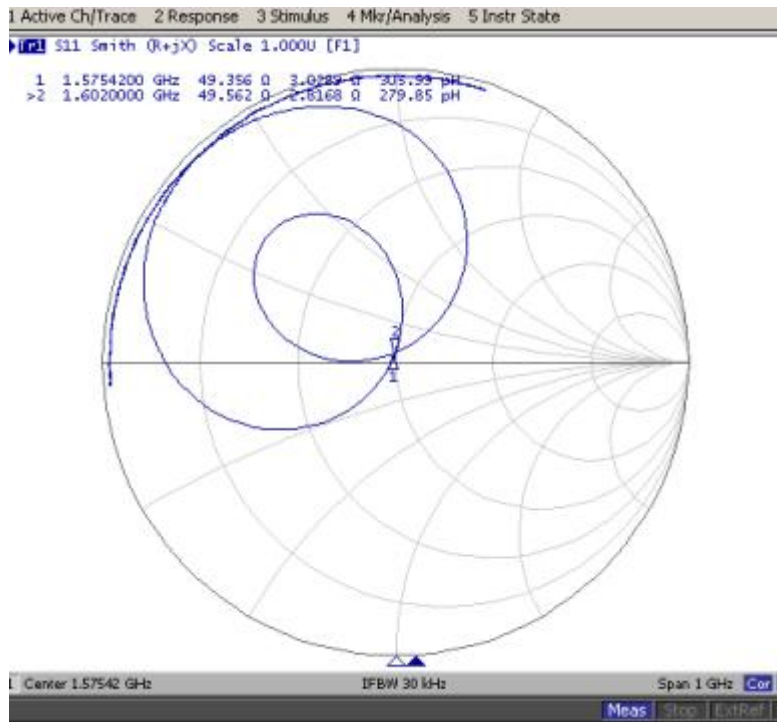
3. Noise Figur Plans



Product Number: AN1516-3607SM-3M

Product Name: GPS+GLONASS Antenna

4. Lnd Test Curve

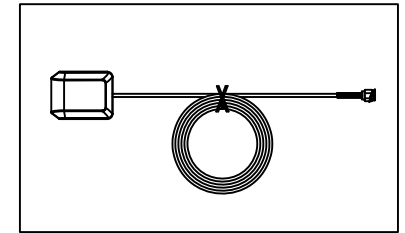
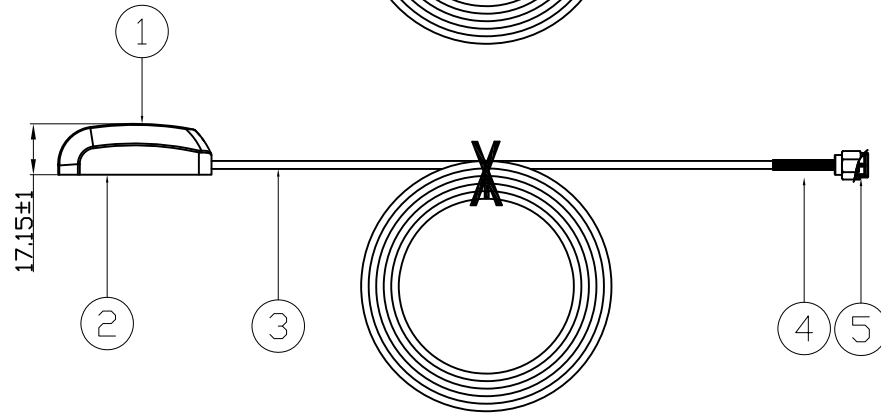
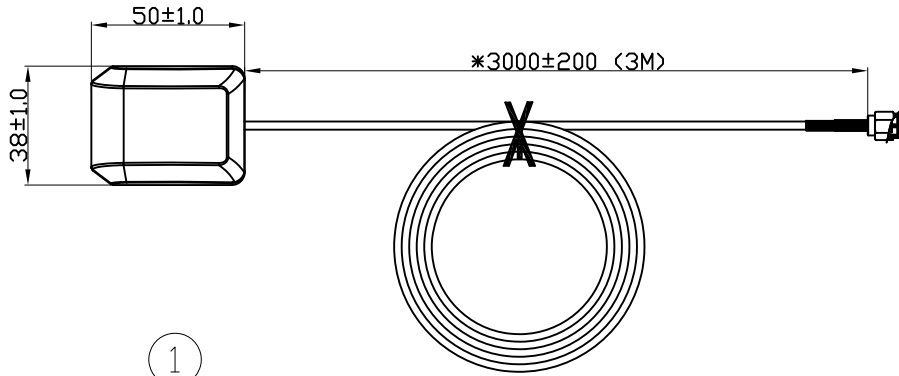


5. Mechanical Drawing See attached files

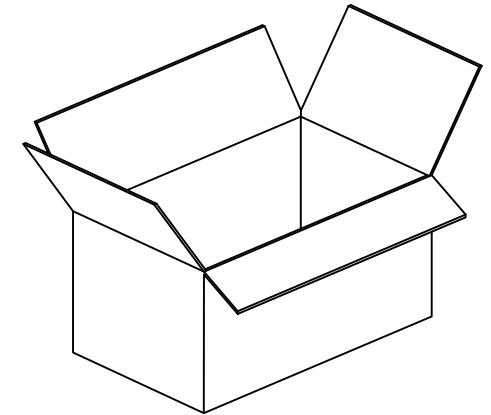
RoHS

Compatible

SIGN	DATE	DESCRIPTION	APPROVER
△			
△			
△			



1pcs/ PE bag



200pcs/Carton

Note:

1. Dimension: Take * is the important dimension
2. Tolerance: Unmarked tolerance refer to the standard tolerance please

5	SMA085-G8MN74	SMA Plug	Cu	Au plated	1
4	HSTUBE-004N	HST	EVA	Black	1
3	RG-174U	Cable		Black	1
2	ANT36-02B	Body2	ABS	Black	1
1	ANT36-01B	Body1	ABS	Black	1
No.	Part Number	Name	Material	Finish	Q'ty



Tengxiang Technology Inc.

TITLE: GPS+GLONASS Antenna

PART NO.: AN1516-3607SM-3M

DWG NAME:

APP BY	CHK BY	RF BY	DES BY	Tolerance
YTX	TOM	WJ	HC	
2023.07.12	2023.07.12	2023.07.12	2023.07.12	X.XX ±0.1
				X° ±1°

UNITS: mm
SCALE: 1/1
REVISION: A