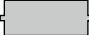


# SMD Crystal Resonators / MHz Band Crystal Resonators

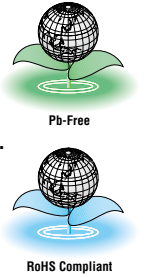
## SMD-49



Actual size 

### ■ Features

- A surface mount version of the AT-49.
- High reliability by a hermetically sealed metal package.
- Correspond to automatic mounting and reflow soldering.
- AEC-Q200 Compliant

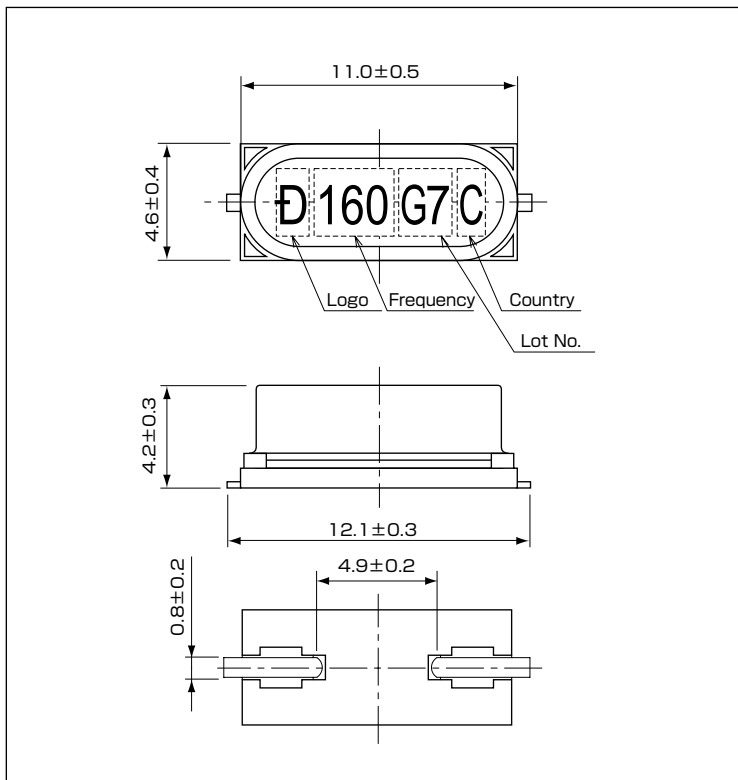


### ■ Standard Specification

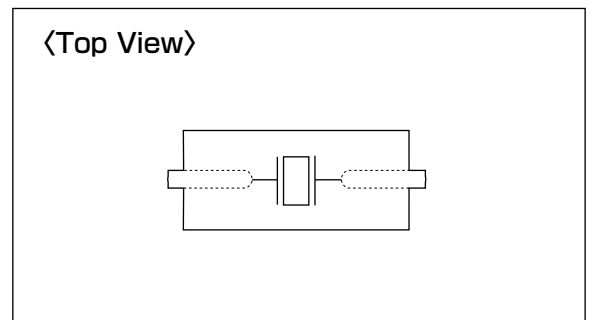
Item	Type	SMD-49	
Frequency Range		3.072 ~ 33.9MHz	26 ~ 70MHz
Overtone Order		Fundamental	3rd overtone
Load Capacitance		Series, 8pF, 10pF, 12pF	
Drive Level		10 $\mu$ W (300 $\mu$ W max.)	50 $\mu$ W (1mW max.)
Frequency Tolerance		$\pm 50 \times 10^{-6}$ , $\pm 100 \times 10^{-6}$ ( at 25°C )	
Series Resistance		40 ~ 300 $\Omega$ max.	
Frequency Characteristics over Temperature		$\pm 50 \times 10^{-6}$ / -10 ~ +60°C	
		$\pm 100 \times 10^{-6}$ / -30 ~ +80°C	
Storage Temperature Range		-40 ~ +85°C	
Packing Unit		1000pcs./reel ( $\phi 330$ )	
Standard Specification		Refer to page 36	

Consult our sales representative for automotive and other specifications.

### ■ Dimensions[mm]



### ■ Internal Connections



### ■ Recommended Land Pattern [mm]

