

# USCC & USM UltraSafe™ Fuseholders

## UltraSafe modular fuseholders for midget and class CC fuses

Mersen UltraSafe Modular Fuseholders introduce a new level of safety for Class CC (USCC) and Midget 1-1/2" x 13/32" (USM) AC and DC-rated fuses up to 30 amperes. UltraSafe holders qualify as "Finger-safe" under IEC and DIN standards to an IP20 grade of protection, including fuse changing (with the flick of a finger). UltraSafe holders are available in 1, 2, 3 or 4 poles, with or without visual blown-fuse indicators in each pole. Multi-pole units can also be field assembled by ordering pin-tie handles.

UltraSafe holders save up to 15% mounting space and any combination can be snapped onto 35mm DIN-rail for extra savings in panel building time. UltraSafe holders with Class CC fuses chosen for Type "2" No Damage protection give one of the safest protection packages in the industry. UltraSafe body material is tough and durable polyamide, with exceptional insulating properties.

### Highlights:

- IP20 Finger-Safe (touch safe)
- Optional visual blown fuse Indicator lights
- DIN-rail mounting
- Compact footprint
- Quick, tool-free, easy fuse change outs

### Applications:

- All circuits up to 600 volts for motors, control circuits, transformers, etc...
- DC circuits up to 1000VDC including photovoltaic applications
- Non-load disconnect

### Recommended Fuse Usage:

- **USM use with:**  
ATQ, ATM\*, A6Y-2B, A25Z-2, TRM, OTM, A13X-2, A60Q-2, DCT\*, HP6M, HP10M
- **USCC use with:**  
ATDR, ATMR\*, ATQR

\* Recommended for DC applications

### Additional Specifications:

**Terminal screws:** Phillips/slot head

**Suggested screw torque:** 14.75 in-lbs.

**Wire range:** #14 to 6 AWG (2.5 to 16mm<sup>2</sup>) single conductor  
: #14 to 10 AWG (2.5 to 5.0 mm<sup>2</sup>) dual conductor

**Wire type:** 60/75/90°C solid/stranded copper

**Connector type:** Pressure plate

**Load-break disconnect:** No

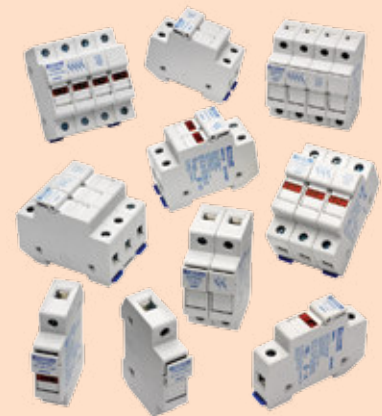
**Environmental:** RoHS compliant, lead free

**Operating temperature:** -40° to 85°C

**Watts loss:** 3W or less

**Flammability rating:** UL 94-V0

**Optional Blown Fuse Indicator Lens Color:** Red



### Ratings:

#### USM (Midget 10x38mm Fuses)

- Volts** : 800VAC Maximum  
: 1000VDC Maximum
- Amps** : 30A Maximum
- SCCR** : 200kA AC  
: 100kA DC

#### USCC (Class CC Fuses)

- Volts** : 600VAC / DC Maximum
- Amps** : 30A Maximum
- SCCR** : 200kA

*Min. voltage to operate indicator light: 90VAC, 115VDC [Less than 0.7 mA leakage current at 600V]*

*USM1IHEL minimum indicator operating voltage: 350VDC*

### Approvals:

- UL Listed to Standard 4248-4 (class CC) and 4248-1 (midget), File E52283
- UL Listed to standard 4248-18 (photovoltaic), File E347822
- CSA Certified C22.2
- IEC 60269-2-1 and 60947-3 Compliant (USM only)



**MERSEN**

# USCC & USM UltraSafe™ Fuseholders

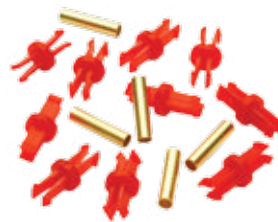
## Catalog Numbers:

Fuse Type	Ampere Rating	Voltage Rating		Visual Indication	No. of Poles	Catalog Number
		AC	DC			
Class CC	30	600	600	No	1	USCC1
	30	600	600	No	2	USCC2
	30	600	600	No	3	USCC3
	30	600	600	No	4	USCC4
	30	600	600	No	3+N	USCC3N
	30	600	600	Yes	1	USCC1I
	30	600	600	Yes	2	USCC2I
	30	600	600	Yes	3	USCC3I
	30	600	600	Yes	4	USCC4I
	30	600	600	Yes	3+N	USCC3IN
	30	120	-	Yes	1	USCC1-AC120
	30	300	-	Yes	1	USCC1-AC300
	30	-	24	Yes	1	USCC1-DC24
Midget (10 x 38mm) (1-1/2" x 13/32")	30	800	1000	No	1	USM1
	30	800	1000	No	2	USM2
	30	800	1000	No	3	USM3
	30	800	1000	No	4	USM4
	30	800	1000	No	3+N	USM3N
	30	600	600	Yes	1	USM1I
	30	600	600	Yes	2	USM2I
	30	600	600	Yes	3	USM3I
	30	600	600	Yes	4	USM4I
	30	600	600	Yes	3+N	USM3IN
	30	120	-	Yes	1	USM1I-AC120
	30	-	24	Yes	1	USM1I-DC24
	Photovoltaic	32	-	1000	No	1
Midget	32	-	1000	Yes	1	USM1IHEL

IEC Ratings for USM: 690VAC / 1000VDC, 32A, 50kA SCCR  
 CSA Ratings for USM: 750VAC / 1000VDC, 30A

## Catalog Numbers—Accessories:

Accessories Catalog No.	Description
USN	1-Pole with Integral Neutral Link
USPTH	Pin-tie Accessory for 12-Poles



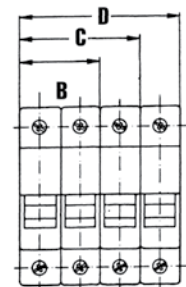
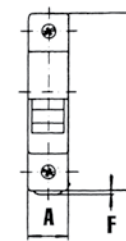
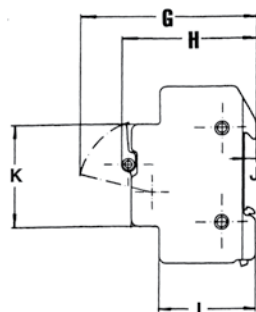
USPTH Pin-Tie Accessory



USM1 with USPTH Pin-Ties

## Dimensions

Dimension	mm	In	Dimension	mm	In
A	17.5	0.69	G	78.0	3.07
B	35.0	1.38	H	59.0	2.32
C	52.5	2.07	I	42.5	1.67
D	70.0	2.76	J	5.0	0.20
E	78.0	3.07	K	45.0	1.77
F	2.5	0.10			



For the most current product performance data visit [ep.mersen.com](http://ep.mersen.com) and use catalog search.

# USBB UltraSafe™ Bus Bar System

## Bus bar systems for use with UltraSafe class CC (USCC) and midget (USM) fuseholders.

Mersen USBB UltraSafe bus bar systems are intended for use with UltraSafe Class CC (USCC) and Midget (USM) fuseholders. The USBB delivers safe and reliable combination of circuits in a compact design. Bus bar systems reduce installation time when compared to wire solutions, offer space savings and deliver touch-safe, shock resistant solutions to panel builders and designers. 1-, 2-, and 3-phase designs available.

### Highlights:

- Decrease installation time compared to wire solutions
- Save panel space with compact design and footprint
- Reduce shock hazards with touch-safe cover (included)
- Environmentally conscious, RoHS compliant and lead free
- Cuttable design offers flexibility

### Applications:

- UL 508 panels
- Solar string combiner boxes
- Control panels
- Power distribution panels

## Catalog Numbers

### Bus Bar (1-, 2-, and 3-phase)

Catalog No.	Phase	Poles	Cross Section	Pitch	Material
USBB1PH25K4	1	4	25mm <sup>2</sup>	17.8mm	Copper
USBB1PH25K6		6			
USBB1PH25K8		8			
USBB1PH25K12		12			
USBB2PH25K4	2	4	25mm <sup>2</sup>	17.8mm	Copper
USBB2PH25K6		6			
USBB2PH25K8		8			
USBB2PH25K10		10			
USBB3PH25K6	3	6	25mm <sup>2</sup>	17.8mm	Copper
USBB3PH25K9		9			
USBB3PH25K12		12			
USBB3PH25K15		15			

### Feeder Terminal

Catalog No.	Wire Range	Wire Type	Torque
USBBC1	10 - 1/0 AWG	60°C Cu	50 lb-in
USBBESB1	14 - 1 AWG	75°C Cu	35 lb-in

### Protective Cover

Catalog No.	Qty per Unit
USBBPC	5

### End Caps

Catalog No.	Qty per Unit
USBB1PHEC	1 set*
USBB23PHEC	1 pc

\* 50 pc. minimum order quantity



### Ratings:

#### USBB Bus Bar

<b>Volts</b>	: 600VAC
	: 1000VDC
<b>Amps</b>	: 100A (End Feed)
	: 200A (Center Feed)
<b>SCCR</b>	: 10kA
	: 100kA (with 200A J Fuse)

#### USBB Feeder Terminal

<b>Volts</b>	: 600VAC
	: 1000VDC
<b>Amps</b>	: 115A Maximum
<b>SCCR</b>	: 10kA
	: 100kA (with 200A J Fuse)

### Approvals:

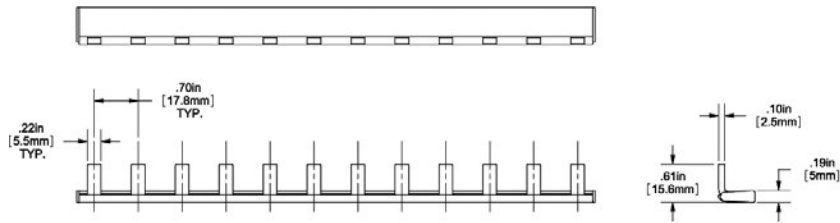
- UL Listed to Standard 508, File E348854
- IEC Compliant



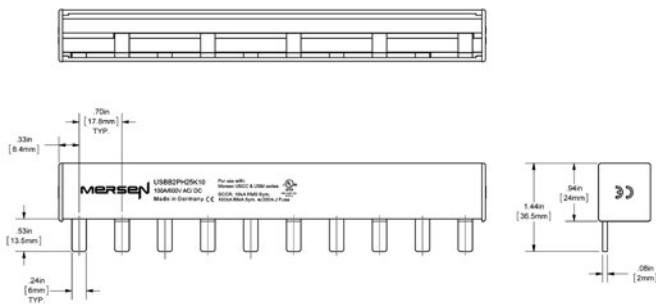
# USBB UltraSafe™ Bus Bar System

## Dimensions

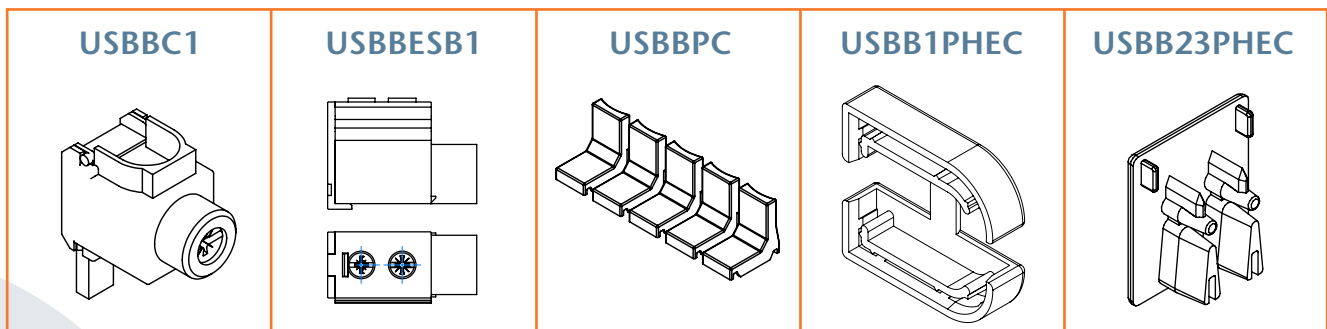
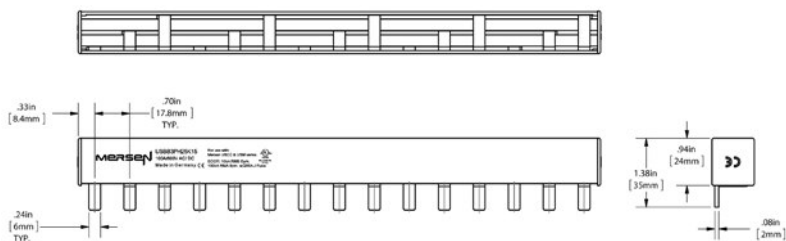
### 1-Phase Bus Bar – USBB1PH25K(4,6,8,12)



### 2-Phase Bus Bar – USBB2PH25K(4,6,8,10)



### 3-Phase Bus Bar – USBB3PH25K(6,9,12,15)



# USGCC & USGM UltraSafe™ Fuseholders

## Innovative UltraSafe class CC and midget fuseholders with screw-less, spring pressure, wire termination technology.

Mersen's new USGCC & USGM series fuseholders deliver the ultimate ease-of-use, time (labor) saving and reliable solution available in the marketplace. Mersen is the first manufacturer to offer screw-less, spring pressure, wire termination technology into a power fuseholder, delivering the best of both technologies to its customers. Now you can experience the combined benefits of safety, ease-of-use, labor savings and reliability of UltraSafe fuseholders and spring pressure technology.

### Highlights:

- Equipped with industry proven, patented WAGO CAGE CLAMP® technology (over 25 years of field experience and acceptance)
- Reduce wire installation time by up to 75%
- Highly reliable, maintenance free wire contact
- Secure, vibration proof, corrosion resistant, temperature cycling resistant, cost saving wire connection
- Quick, tool-free, easy fuse change-outs
- IP20 finger-safe protection
- Option visual blown fuse indicator
- DIN-rail mounting
- Compact footprint
- Environmentally conscious, RoHS compliant and lead free

### Additional Specifications:

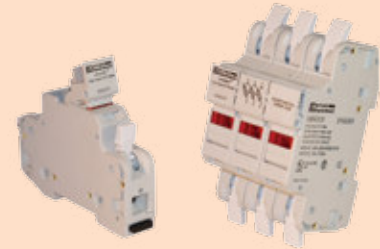
- Screw-less, spring pressure terminals: WAGO CAGE CLAMP®
- Wire Range : #14 to 6 AWG (2.5 to 16mm<sup>2</sup>) Single Conductor  
: #14 to 10 AWG (2.5 to 5.0 mm<sup>2</sup>) Dual Conductor
- Wire Type : 60/75/90°C Solid/Stranded Copper  
: Can be used with wire ferrules
- Wire Strip Length: 12-13 mm (0.49 in)
- Load-Break Disconnect: No
- Environmental: RoHS compliant, Lead Free
- Operating Temperature: -40 to +85°C
- Watts Loss: 3W or less
- Flammability Rating: UL 94-V0
- Optional Blown Fuse Indicator Lens Color: Red

### Applications:

- All circuits up to 750VAC / 1000VDC for power control, power distribution and power electronics
- Non-load disconnect

### Recommended Fuse Usage:

- **USGM** use with Midget Fuses: ATQ, ATM, TRM, OTM, A60Q-2, DCT-2
- **USGCC** use with Class CC Fuses: ATDR, ATQR, ATMR
- **USGM-HEL** use with **Photovoltaic Fuses: HP6M, HP10M**



### Ratings:

#### USGM (Midget 10x38mm Fuses)

**Volts** : 750VAC maximum  
: 1000VDC maximum

**Amps** : 30A maximum

**SCCR** : 200kA AC  
: 100kA DC

#### USGCC (Class CC Fuses)

**Volts** : 600VAC / DC maximum

**Amps** : 30A maximum

**SCCR** : 200kA

*Min voltage to operate indicator light:  
90VAC, 115VDC [Less than 0.7 mA leakage  
current at 600V]*

*USGM1IHEL minimum indicator operating  
voltage: 350VDC*

### Approvals:

- UL Listed to Standard 4248-4 (Class CC) and 4248-1 (Midget), File E52283
- UL Listed to Standard 4248-18 (Photovoltaic), File E347822
- CSA Certified C22.2
- IEC Compliant (USGM only)



**MERSEN**

# USGCC & USGM UltraSafe™ Fuseholders

## Catalog Numbers

Fuse Type	Ampere Rating	Voltage Rating		Visual Indication	No. of Poles	Catalog Number
		AC	DC			
Class CC	30	600	600	No	1	USGCC1
	30	600	600	No	2	USGCC2
	30	600	600	No	3	USGCC3
	30	600	600	No	4	USGCC4
	30	600	600	No	3 + N	USGCC3N
	30	600	600	Yes	1	USGCC1I
	30	600	600	Yes	2	USGCC2I
	30	600	600	Yes	3	USGCC3I
	30	600	600	Yes	4	USGCC4I
	30	600	600	Yes	3 + N	USGCC3IN
	30	-	24	Yes	1	USGCC1I-DC24
Midget (10 x 38mm) (1-1/2" x 13/32")	30	750	1000	No	1	USGM1
	30	750	1000	No	2	USGM2
	30	750	1000	No	3	USGM3
	30	750	1000	No	4	USGM4
	30	750	1000	No	3 + N	USGM3N
	30	600	600	Yes	1	USGM1I
	30	600	600	Yes	2	USGM2I
	30	600	600	Yes	3	USGM3I
	30	600	600	Yes	4	USGM4I
	30	600	600	Yes	3 + N	USGM3IN
	30	-	24	Yes	1	USGM1I-DC24
Photovoltaic	32	-	1000	No	1	USGM1HEL
Midget	32	-	1000	Yes	1	USGM1IHEL

## Catalog Numbers - Accessories

Catalog No.	Description
USGN	1-Pole with Integral Neutral Link
USPTH	Pin-Tie Accessory for 12-Poles
USTP	Test Plug, 2 x 500mm (0.079 x 17.7 in), Red
USWMB0	WMB Markers, blank, 10 x 10 strips
USWMB1	WMB Markers, pre-marked 1-10, x10 strips
USCMA	Continuous Marking Strip Adapter (1 needed per pole)
USCM0*	Continuous Marking Strips, blank, 10 x 10 strips
USCM1*	Continuous Marking Strips, pre-marked 1-10, x10 strips

\* USCMA required for use with USCM0 and USCM1

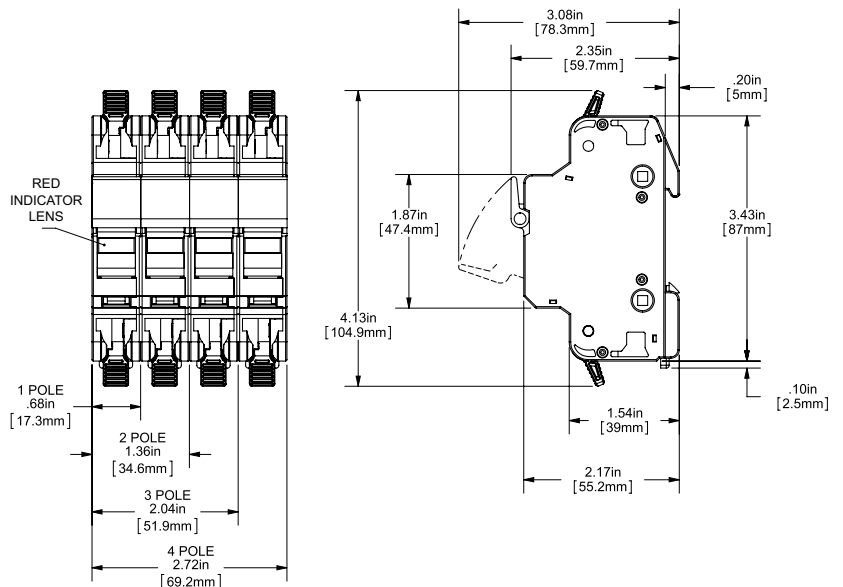


Continuous marking strip and adaptors



WMB Marker System

## Dimensions



# USFM UltraSafe™ Fuse Modules

## UltraSafe 3-pole fuse modules for midget and class CC fuses

Mersen UltraSafe™ Fuse Modules have a unique, compact design suited for use with 45mm wide IEC contactors. These modules also offer other features not found on other Class CC and midget UltraSafe fuse holders such as an auxiliary contact option. When the auxiliary is wired to an adjacent contactor the load is dropped out by the contactor immediately once someone tries to open the fuse extractor handle. Additionally, the fuse module features padlock capabilities, compact busbars for line side terminations, and tool free removal from DIN-rail. Yet the fuse modules still incorporate well known UltraSafe features such as IP20 protection, easy operating fuse extraction handles and an open fuse visual indication option.

### Highlights:

- Dedicated 3-pole fuse module
- Finger-safe
- Compact footprint with 45mm width
- Auxiliary contact option (1NO/1NC)
- Ability to padlock in OPEN position with 1/4" shank diameter
- DIN-rail mount with tool free removal
- Quick, easy fuse change
- Optional indicator lights

### Recommended Fuse Usage:

- USM use with:  
ATQ, ATM\*, A6Y-2B, A25Z-2, TRM, OTM, A13X-2, A60Q-2, DCT\*
- USCC use with:  
ATDR, ATMR\*, ATQR

\* Recommended for DC applications

### Applications:

- Primarily for motor circuits to replace circuit breakers for higher SCCR ratings
- Other circuits up to 600 volts for control circuits, transformers, etc.
- Non-load disconnect
- Padlock compliance



### Ratings:

#### USFMCC (Class CC Fuses)

**Volts** : 600VAC / DC :  
**Amps** : 30A Maximum  
**SCCR** : 200kA

#### USFM10 (Midget 10x38mm Fuses)

**Volts** : 600VAC / DC  
**Amps** : 30A Maximum  
**SCCR** : 100kA

*Min. voltage to operate indicator light: 90VAC, 115VDC [Less than 0.7 mA leakage current at 600V]*

### Approvals:

#### USFMCC (Class CC Fuses)

- UL Listed, guide IZLT, File E52283
- CSA Certified C22.2, class 6225 01, File 32169

#### USFM10 (Midget 10x38mm Fuses)

- UL Recognized Component, guide IZLT2, File E52283
- CSA Certified C22.2, Class 6225 01, File 32169
- IEC Certified 60269-1, 60947-3 (690VAC, 32A, 120kA)



**MERSEN**

# USFM UltraSafe™ Fuse Modules

## Catalog Numbers and Descriptions:

### For use with Class CC Fuses

Catalog No.	Description
USFMCC	3 pole fuse module
USFMCCI	3 pole fuse module with indicators
USFMCCM	3 pole fuse module with microswitch style auxiliary contact
USFMCCMI	3 pole fuse module with microswitch style auxiliary contact and indicators



USFMAC11

### For use with Midget and 10x38mm UL and IEC Fuses

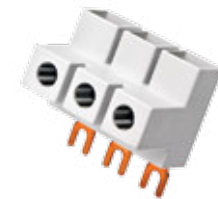
Catalog No.	Description
USFM10	3 pole fuse module
USFM10I	3 pole fuse module with indicators
USFM10M	3 pole fuse module with microswitch style auxiliary contact
USFM10MI	3 pole fuse module with microswitch style auxiliary contact and indicators



USFMBB2

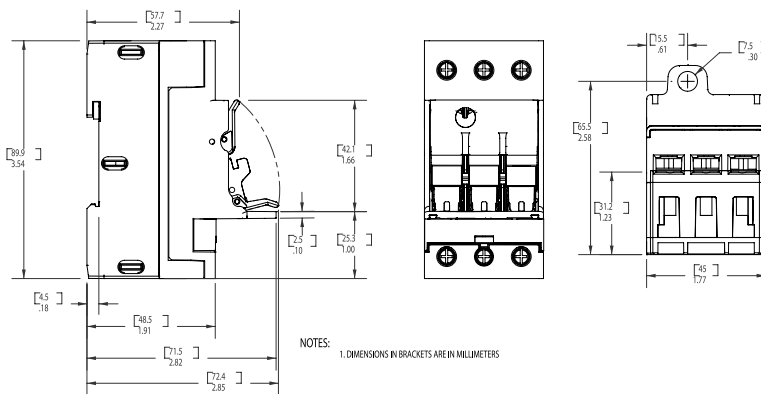
## Accessories

Catalog No.	Description
USFMAC11	1NO (late make)/NC (early break) auxiliary contact
USFMBB2	Busbar to connect 2 modules together
USFMBB3	Busbar to connect 3 modules together
USFMBB4	Busbar to connect 4 modules together
USFMBB5	Busbar to connect 5 modules together
USFMBBC1	Busbar connector terminal



USFMBBC1

## Dimensions



## Additional specifications:

Terminal screws: Pozidriv#2  
 Suggested screw torque: 13 Lbs-in (1.5 N-m)  
 Connector type: Pressure plate  
 Wire range: #10 to #16 AWG (1-4 mm<sup>2</sup>)  
 75°C solid/stranded Cu only

Load-break disconnect: No (when auxiliary contact is installed in fuse module and properly wired to adjacent IEC contactor the load will be dropped out prior to disconnection between fuse and clip inside holder upon operation of the fuse extractor handle).



# US3J & US6J UltraSafe™ Class J Fuse Holders

## UltraSafe™ modular fuse holders for class J fuses

Mersen UltraSafe Modular 600 Volt Fuse Holders for Class J fuses introduce a new level of safety and ease for installing or replacing Class J fuses. UltraSafe holders qualify as “finger-safe” to an IP20 grade of protection under IEC standards. The US3J accommodates 30A Class J or 22 x 58 mm French Ferrule\* fuses. The US6J is for 60A Class J fuses. UltraSafe holders are available in compact 1, 2, or 3 pole units, with or without blown-fuse indicators in each pole. Multi-pole units can also be made up in the field by using the multiple-pole Assembly Kits. All units have provisions for locking in the open position for safety during fuse changeouts or equipment servicing. US3J and US6J holders can be snap-mounted to 35 mm DIN-rail and they have a unique latch which will stay open to allow re-positioning of the holder in the future. UltraSafe body material is tough and durable polyamide.

*\*Holder not UL listed when installed with French Ferrule fuses.*

### Highlights

- Finger-safe IP20 protection
- Optional indicator lights
- DIN-rail mount
- Compact footprint
- Quick, easy fuse change

### Applications:

- 600 volt motors, transformers, lighting, heating, control circuits, general loads
- Non-load disconnect

### Recommended Fuse Usage:

US3J, US6J use with AJT, A4J, HSJ



### Ratings:

- Volts** : 600VAC/DC  
**Amps** : US3J - 30A Maximum  
          : US6J - 60A Maximum  
**SCCR** : 200kA

*Min. voltage to operate indicator light:  
90VAC, 115VDC [Less than 0.7 mA leakage  
current at 600V]*

### Approvals:

- UL Listed, guide IZLT File E52283
- CSA Certified C22.2, class 6225 01, File 32169
- IEC certified 60269-1, 60947-3



# US3J & US6J UltraSafe™ Class J Fuse Holders

## Catalog Numbers

Catalog No. W/O Indicator	Catalog No. W/ Indicator	Description	Fuse Type	Voltage Rating		Ampere Rating	No. of Poles	Certifications
				AC	DC			
US3J1	US3J1I	1-Pole 30A Class J UltraSafe Fuse Holder	Class J	600V	600V	30A	1	UL Listed CSA Approved IEC Certified
US3J2	US3J2I	2-Pole 30A Class J UltraSafe Fuse Holder					2	
US3J3	US3J3I	3-Pole 30A Class J UltraSafe Fuse Holder					3	
US6J1	US6J1I	1-Pole 60A Class J UltraSafe Fuse Holder				60A	1	
US6J2	US6J2I	2-Pole 60A Class J UltraSafe Fuse Holder					2	
US6J3	US6J3I	3-Pole 60A Class J UltraSafe Fuse Holder					3	

## Catalog Numbers – Accessories

Accessories Catalog No.	Description
US3JN	1-Pole Neutral 30A Class J UltraSafe Fuse Holder
US3JPAK	Pin Tie Assembly Kit, 6-Poles, for use with US3J
US6JN	1-Pole Neutral 60A Class J UltraSafe Fuse Holder
US6JPAK	Pin Tie Assembly Kit, 6-Poles, for use with US6J

## Additional specifications:

**Terminal screws:** Phillips/slot head

**Suggested screw torque:** 30A - 35 in-lbs. 60A - 45 in-lbs.

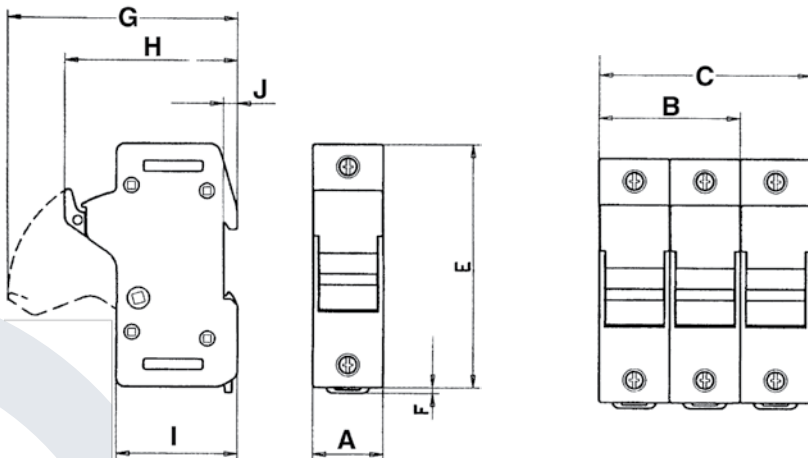
**Connector type:** Pressure plate

**Wire range:** #2 to #14 (solid/stranded Cu)

**Load-break disconnect:** No

## Dimensions

Dimension	US3J		US6J	
	mm	In	mm	In
A	32.5	1.28	40	1.57
B	65	2.56	80	3.15
C	97.5	3.84	120	4.72
E	114	4.49	122	4.80
F	3	0.12	3	0.12
G	106	4.17	115	4.53
H	80	3.15	89	3.50
I	56	2.20	62	2.44
J	6.5	0.26	6.5	0.26



# US14 & US22

## 750 Volt UltraSafe™ Fuse Holders

### UltraSafe modular fuse holders for 14 x 51 and 22 x 58mm fuses

Mersen UltraSafe™ modular 750 volt Fuse Holders offer the highest levels of safety and features for 14 x 51 mm and 22 x 58 mm fuses. Like all UltraSafe holders, they qualify as “finger-safe” to an IP20 grade of protection under IEC standards, including fuse changing (with the flick of a finger). The US14 and US22 ranges are available in 1, 2 or 3 pole units, with or without blown-fuse indicator lights in each pole.

These holders come standard with a mechanical indicator that shows fuse presence. If a striker fuse is used, this mechanical indicator will also indicate a blown fuse. Microswitches can be supplied with the holders (or ordered separately for field installation) to allow remote communication. These holders also feature padlocking capabilities, DIN-rail mounting with our unique latching system to allow re-positioning, and the capability to be joined as multiple poles in the field.

#### Highlights:

- Finger-safe
- Optional indicator lights
- Optional microswitches
- DIN-rail mount
- Compact footprint
- Quick, easy fuse change

#### Applications:

- All circuits up to 750 volts using semiconductor fuses for protection of small inverters, UPS systems, motor drives, etc.
- No-load disconnect
- IP20 requirements

#### Recommended Fuse Usage:

- US14 use with 14 x 51mm: A70QS, A70P, URC, URD
- US22 use with 22 x 58 mm: A70QS, URD



#### Ratings:

- Volts** : 750VAC/DC
- Amps** : 50A (14 x 51 mm)  
: 125A (22 x 58 mm)
- SCCR** : 200kA

#### Approvals:

- All UltraSafe fuse holders meet the requirements of UL4248
- UL Recognized Component guide IZLT2, File E52283
- CSA Certified C22.2, class 6225, File 32169
- IEC Compliant (60269-1, 60947-3)



# US14 & US22

## 750 Volt UltraSafe™ Fuse Holders

### Catalog Numbers and Descriptions - For use with 14 x 51 mm Fuses up to 50A

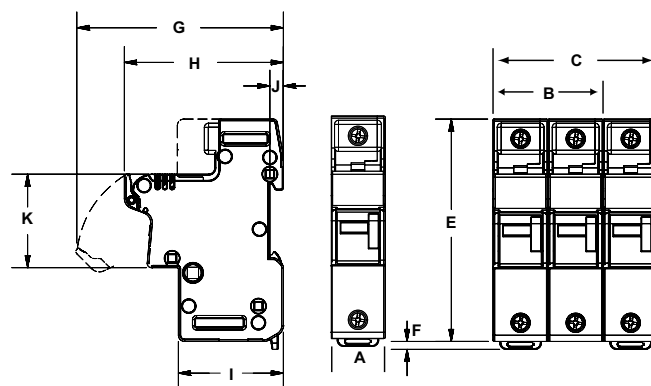
Catalog No.	Description
US141	1 Pole
US142	2 Pole
US143	3 Pole
US141I	1 Pole with Indicator
US142I	2 Pole with Indicators
US143I	3 Pole with Indicators
US141M	1 Pole with Microswitch
US142M	2 Pole with Microswitch
US143M	3 Pole with Microswitch
US143M2	3 Pole with 2 Microswitches
US141MI	1 Pole with Microswitch & Indicator
US142MI	2 Pole with Microswitch & Indicators
US143MI	3 Pole with Microswitch & Indicators
US143M2I	3 Pole with 2 Microswitches & Indicators
US141N	1 Pole - Neutral
US14PAK	Accessory - Multi-pole Assembly Kit
US14S1P	Accessory - 1 Pole Microswitch
US14S3P	Accessory - 3 Pole Microswitch
US14S3P2	Accessory - 3 Pole, 2 Microswitches

### Catalog Numbers and Descriptions - For use with 22 x 58 mm Fuses up to 125A

Catalog No.	Description
US221	1 Pole
US222	2 Pole
US223	3 Pole
US221I	1 Pole with Indicator
US222I	2 Pole with Indicators
US223I	3 Pole with Indicators
US221M	1 Pole with Microswitch
US222M	2 Pole with Microswitch
US223M	3 Pole with Microswitch
US223M2	3 Pole with 2 Microswitches
US221MI	1 Pole with Microswitch & Indicator
US222MI	2 Pole with Microswitch & Indicators
US223MI	3 Pole with Microswitch & Indicators
US223M2I	3 Pole with 2 Microswitches & Indicators
US22N	1 Pole - Neutral
US22PAK	Accessory - Multi-pole Assembly Kit
US22S1P	Accessory - 1 Pole Microswitch
US22S3P	Accessory - 3 Pole Microswitch
US22S3P2	Accessory - 3 Pole, 2 Microswitches

### Dimensions

Dimension	US14		US22	
	mm	In	mm	In
A	26.5	1.04	35.0	1.38
B	53.0	2.09	70.0	2.76
C	79.5	3.13	105.0	4.13
E	107.0	4.21	124.0	4.88
F	3.80	0.15	3.80	0.15
G	94.0	3.70	103.0	4.06
H	76.5	3.01	76.5	3.01
I	50.5	1.98	50.5	1.98
J	6.50	0.26	6.5	0.26
K	45.0	1.77	45.0	1.77



### Additional Specifications:

**Terminal screws:** Phillips/slot head

**Suggested screw torque:** 50A - 35 lbs.-in. 125A - 45 lbs.-in.

**Connector type:** Pressure Plate

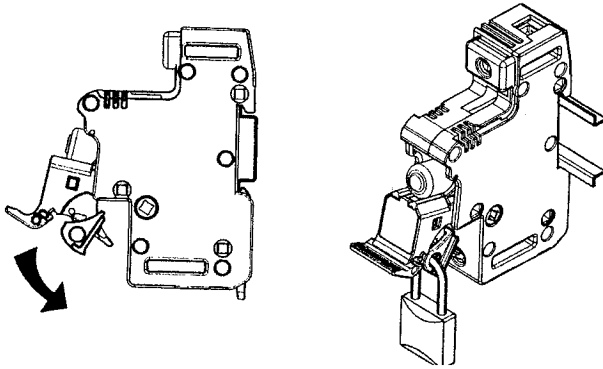
**Wire range:** US14 #2 to #14 (solid/stranded Cu), US22 1/0 to #14 (solid/stranded Cu)

**Load-break disconnect:** No

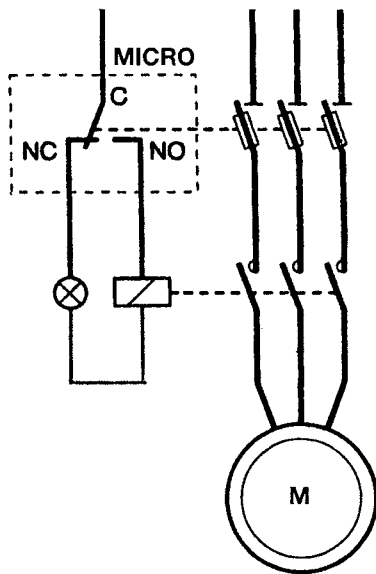
# US14 & US22

## 750 Volt UltraSafe™ Fuse Holders

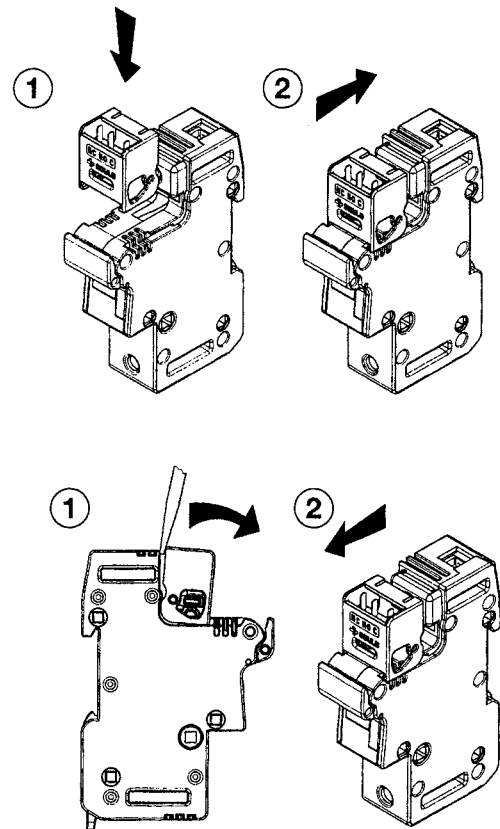
### Lock installation



### Microswitch mounting instructions(\*)



### Assembly



### Auxilliary microswitch characteristics

#### (\*) Microswitch functions

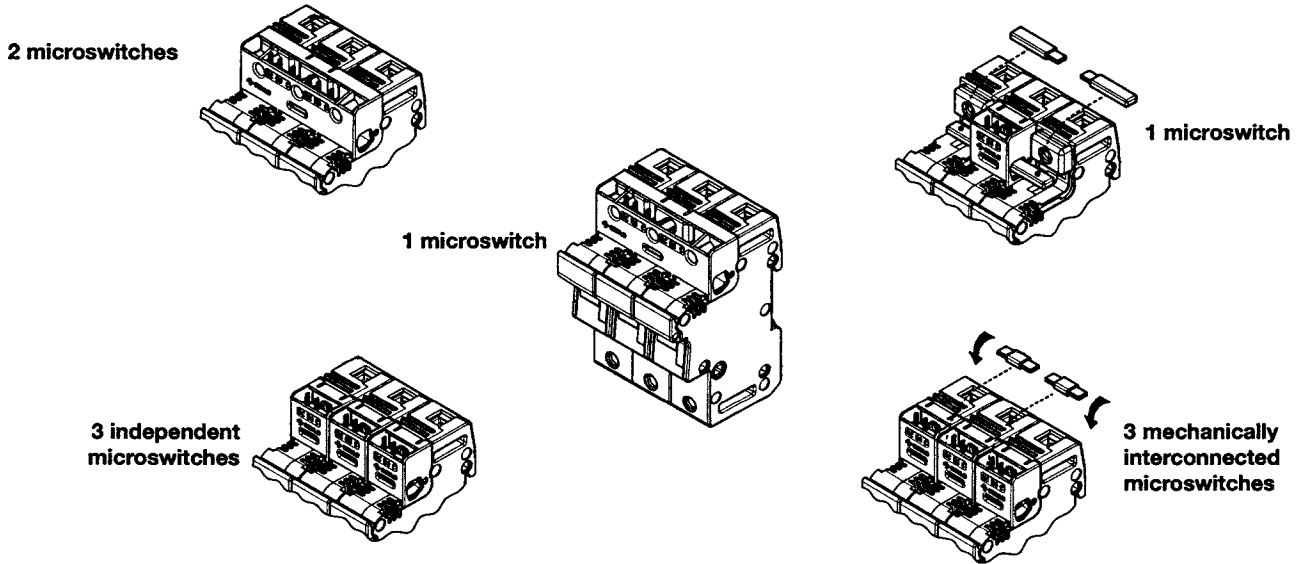
Blown fuse:	Fuse holder containing fuse with striker sends message when fuse blown	Nominal current and interrupting rating(1) at 250V	6A 3A 0,3A 0,1A	AC12 AC13 AC14 DC12/13/14
Prebreaking:	When fuse holder opens	Nominal current and interrupting rating(1) at 12 V and 24 V	6A 5A 2A 0,6A	DC12/DC13 AC13 AC14/DC13 DC14
Presence:	Sends message or not depending on fuse presence			

(1) According IEC947-5 Standard

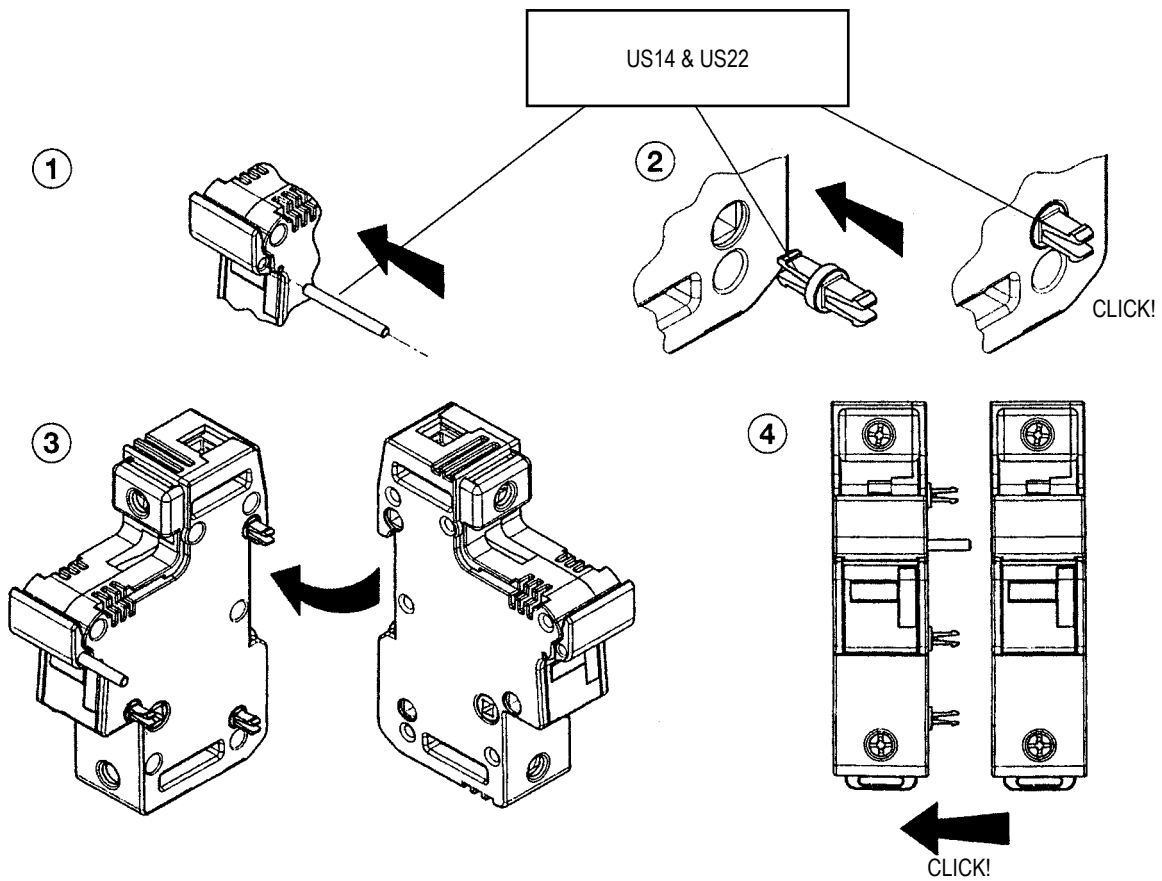
# US14 & US22

## 750 Volt UltraSafe™ Fuse Holders

### Microswitch options



### Fuse holder assembly



# US15M1HEL UltraSafe™ Fuseholders for PV Applications

## Touch-safe design increases user safety

Mersen UltraSafe modular fuse holders introduce the next level of safety for Photovoltaic applications for 10x85mm fuses. UltraSafe fuseholders are finger safe up to an IP20 grade of protection, and the 10x85mm features a pull out, pivoting fuse carrier.

The US15M1HEL is designed with terminals to accept standard stock busbar eliminating the need for custom combed busbar, saving cost, time and simplifying installation. The body features industry leading UL94V0 material, providing superior flammability rating with exceptional durability.

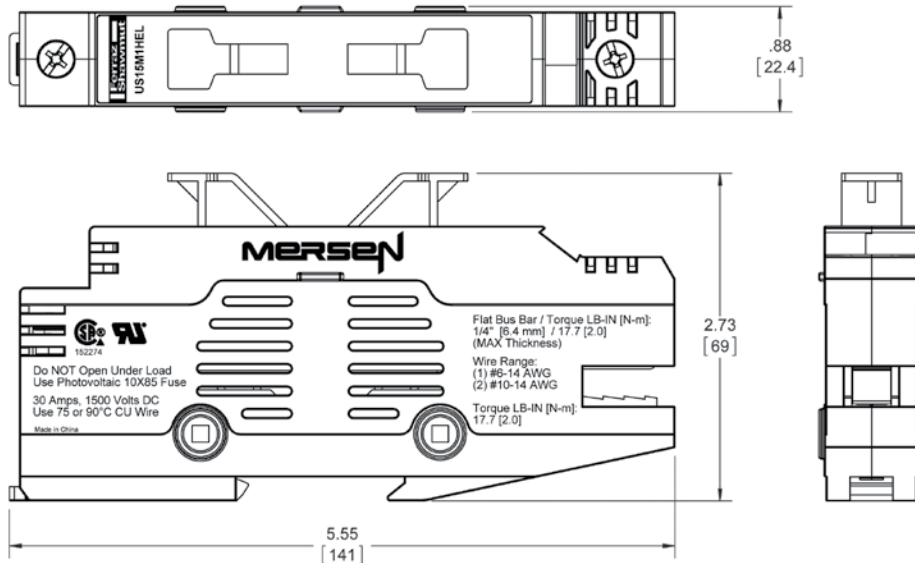
## Features/Benefits:

- Bus bar termination clamp
- UL94V0 Material Flammability Rating
- Wire terminal for use with 90°C wire
- Wire range: 6-18 stranded, 10-18 solid. Copper wire only.
- IP20 Finger Safe
- Din Rail Mounting
- Recommended fuse usage: HP15M

## Applications:

- All photovoltaic applications
- Combiner box applications

## Dimensions:



## Ratings:

**Volts** : 1500VDC Maximum

**Amps** : 30A Maximum

**SCCR** : 50kA

## Approvals:

- UL Recognized Component, evaluated to UL 4248-18

