

MATERIALS AND FINISHS

FAKRA JACK

BODY ZINC ALLOY  
PLATED NICKEL

CENTER CONTACT BRASS  
PLATED GOLD

INSULATOR TEFLON

GASKET SILICONE RUBBER

RETAINING RING CARBON SPRING STEEL  
PLATED NICKEL

SHROUD HIGH TEMPERATURE PLASTIC  
COLOR CODE I BORDEAUX VIOLET  
CODE Z WATER BLUE

MICRO COAXIAL CONNECTOR

SHELL PHOSPHOR BRONZE  
PLATED GOLD

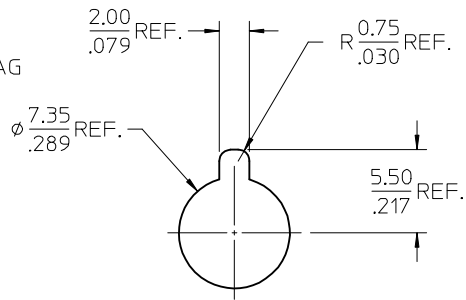
CENTER CONTACT PHOSPHOR BRONZE  
PLATED GOLD

INSULATOR PBT

CABLE 1.32 CABLE

SHRINK TUBE  
ATUM 4/1-0

PACKAGING BY POLYBAG

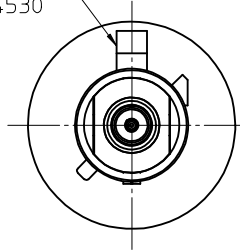


RECOMMENDED PANEL  
THICKNESS 2.5MM

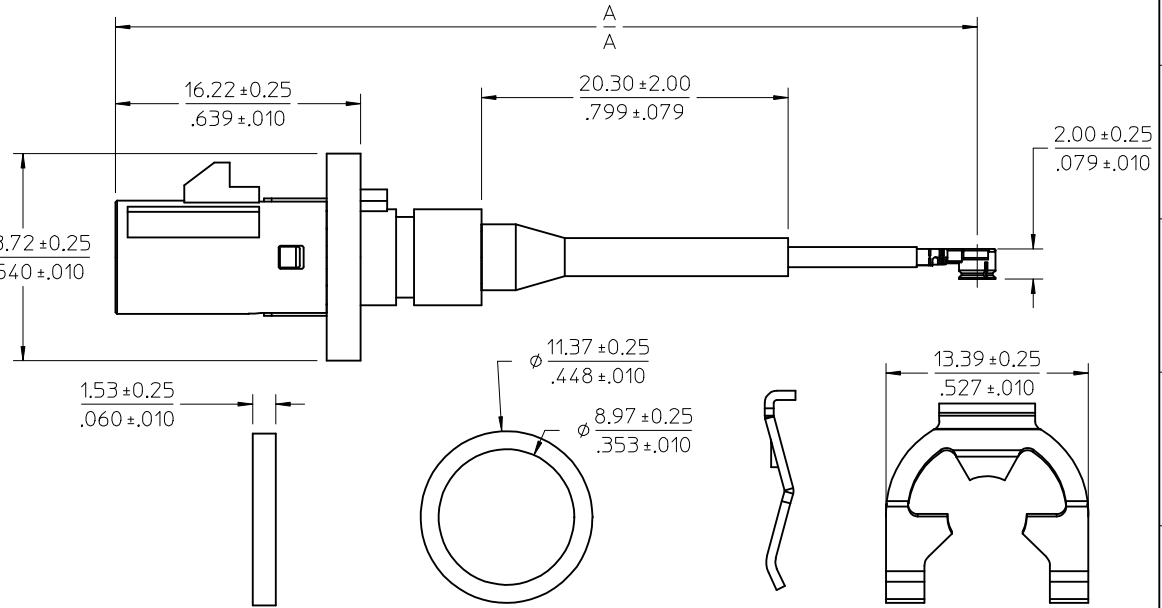
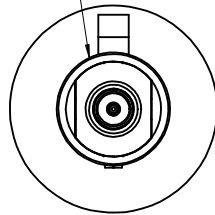
ELECTRICAL SPEC.

IMPEDANCE: 50 OHMS  
FREQUENCY RANGE: DC TO 2G HZ  
(VSWR 1.4 MAX.)  
MAXIMUM WORKING VOLTAGE: 60V rms  
MINIMUM INSULATION RESISTANCE: 500M  
UL94V0,RoHS

CODE I  
89762-4530



CODE Z  
89762-4531



89762-4537	3.937±.197	100.00±5.00	CODE Z
89762-4536	3.937±.197	100.00±5.00	CODE I
89762-4535	11.811±.197	300.00±5.00	CODE Z
89762-4534	13.78±.197	350.00±5.00	CODE Z
89762-4533	7.874±.197	200.00±5.00	CODE Z
89762-4532	7.874±.197	200.00±5.00	CODE I
89762-4531	5.906±.197	150.00±5.00	CODE Z
89762-4530	5.906±.197	150.00±5.00	CODE I
PART NO.	IN	MM	KEY CODE
-	A		SHROUD

CHG:ADD -4536/-4537 PER PDR17042408 EC NO: URF2017-0365 DRW:MC102 2017/04/27 CHKD: APPR:YCHENG 2017/05/09 REV: A5	QUALITY SYMBOLS ▽=0 ▽=0 ▽=0	GENERAL TOLERANCES (UNLESS SPECIFIED)		DIMENSION STYLE MM/IN		SCALE 4:1	DESIGN UNITS METRIC	THIRD ANGLE PROJECTION	
		mm      INCH		DRAWN BY EL IN	DATE 2013/03/04	TITLE CA, FAKRA JACK STR. TO MICRO COAXIAL 1.32 CABLE CA-FAKRA-J/MC			
		4 PLACES ± --- ± --- 3 PLACES ± --- ± --- 2 PLACES ± --- ± --- 1 PLACE ± --- ± --- 0 PLACE ± --- ± ---		CHECKED BY KERRIE	DATE 2013/03/04	DOCUMENT NO. SD-89762-453			
		ANGULAR ± 2 °		APPROVED BY MHUANG	DATE 2013/03/29	SHEET NO. 1 OF 1			
DRAFT WHERE APPLICABLE MUST REMAIN WITHIN DIMENSIONS		SEE TABLE		THIS DRAWING CONTAINS INFORMATION THAT IS PROPRIETARY TO MOLEX INCORPORATED AND SHOULD NOT BE USED WITHOUT WRITTEN PERMISSION					

