

MATERIALS AND FINISHES:

N JACK

BODY, CRIMP TUBE, JAM NUT: BRASS
PLATED NICKEL (70µ" MIN TO 150µ" MAX)

CONTACT: PHOSPHOR BRONZE
PLATED GOLD (10µ" MIN TO 30µ" MAX)

INSULATOR: TEFLON

GASKET: SILICONE RUBBER

LOCKWASHER: PHOSPHOR BRONZE
PLATED NICKEL (100µ" MIN TO 150µ" MAX)

PROTECTIVE COVER: PVC, BLACK

MHF

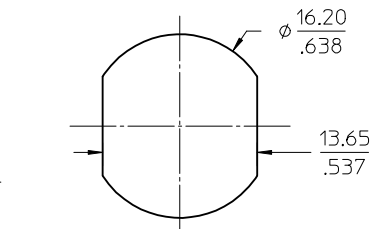
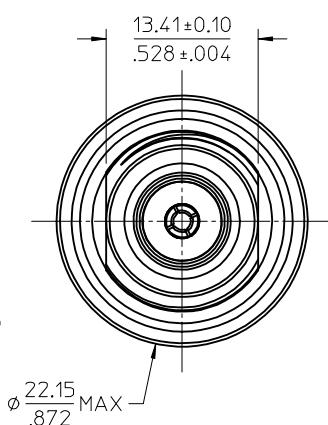
BODY, CONTACT: COPPER ALLOY
PLATED: GOLD
HOUSING: PBT

CABLE: 1.37MM CABLE
CABLE COLOR (SEE TABLE)

EMI CORE: R3 RH 3.5X9X1.5 OR EQUIVALENT

SHRINK TUBE: VERSAFIT OR EQUIVALENT

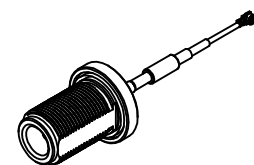
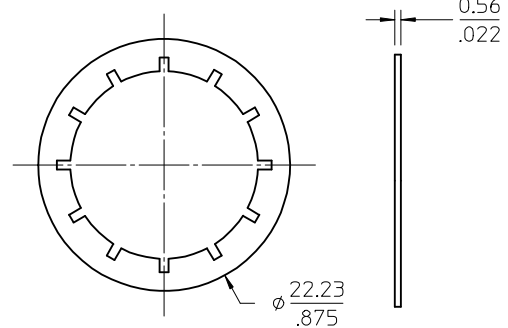
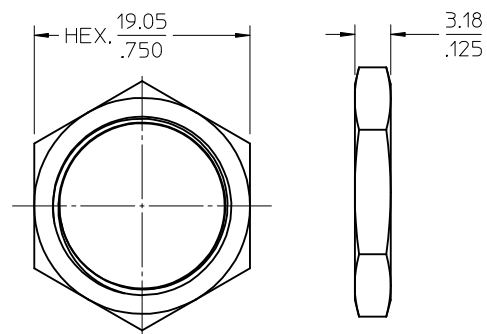
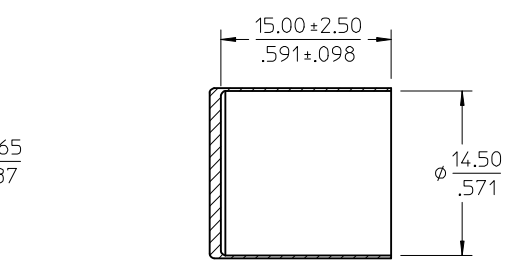
PACKAGING: BY POLY BAG



RECOMMENDED PANEL CUT-OUT
MAX. PANEL THK: 8.51/.335

N JACK IP68
INTERFACE

SHIPPED WITH
PROTECTIVE
PVC COVER
(NOT SHOWN)



MIL-STD-348A, FIG. 304.2	N JACK INTERFACE
SPECIFICATION	DESCRIPTION

89762-4371	5.511	140.00	BLACK
89762-4370	4.724	120.00	GRAY
PART NO.	IN	MM	COLOR
DIM X	A		CABLE

CHG: ADD COVER DIM. PER RF17-E008 EC NO: URF2017-0188 DRWING: CWE102 2017/01/09 CHKD: APPR: YCHENG 2017/01/26 DESCRIPTION:	QUALITY SYMBOLS ∇=0 ∇=0 ∇=0	GENERAL TOLERANCES (UNLESS SPECIFIED) 4 PLACES ± --- ± --- 3 PLACES ± --- ± --- 2 PLACES ± --- ± --- 1 PLACE ± --- ± --- 0 PLACE ± --- ± --- ANGULAR ± 2 ° DRAFT WHERE APPLICABLE MUST REMAIN WITHIN DIMENSIONS	DIMENSION STYLE MM/IN DRAWN BY DATE CWE102 2012/10/19 CHECKED BY DATE ALEX LIU 2012/10/19 APPROVED BY DATE	SCALE DESIGN UNITS METRIC THIRD ANGLE PROJECTION	TITLE CA, N JACK BLKHD IP68 TO MHF WITH 1.37 CABLE CA-N_J/MHF_P molex	MATERIAL NO. SEE TABLE DOCUMENT NO. SD-89762-437	SHEET NO. 1 OF 1
	THIS DRAWING CONTAINS INFORMATION THAT IS PROPRIETARY TO MOLEX. INCORPORATED AND SHOULD NOT BE USED WITHOUT WRITTEN PERMISSION						