

MATERIALS AND FINISHES

N JACK (IP68)

BODY BRASS
PLATED NICKEL

CENTER CONTACT PHOSPHOR BRONZE
PLATED GOLD

INSULATOR TEFLON

GASKET SILICONE RUBBER

WASHER PHOSPHOR BRONZE
PLATED NICKEL

NUT BRASS
PLATED NICKEL

LABEL RPS OR EQUIVALENT

UFL CONNECTOR

BODY PHOSPHOR BRONZE
PLATED GOLD

CENTER CONTACT PHOSPHOR BRONZE
PLATED GOLD

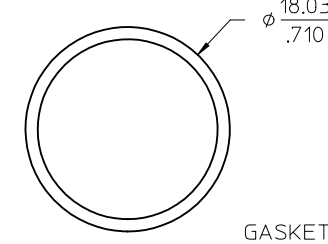
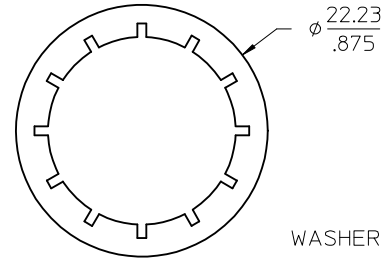
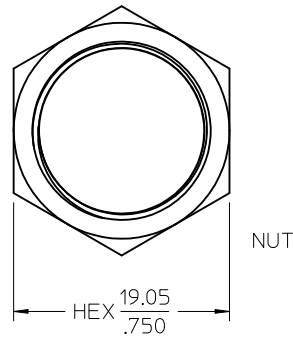
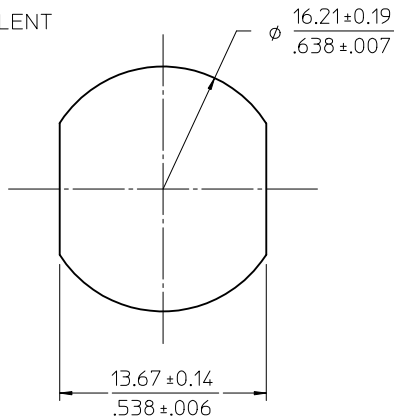
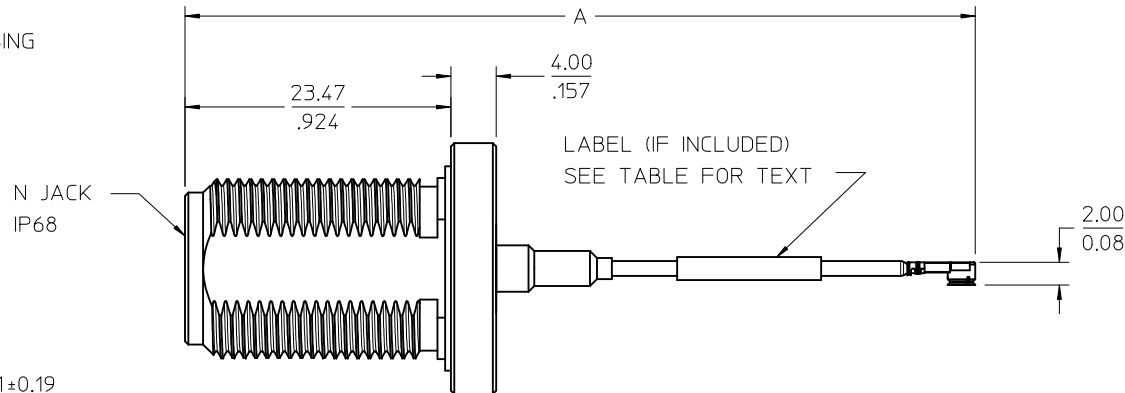
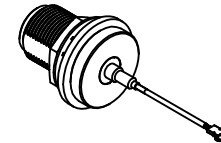
HOUSING
PBT

CABLE

1.32 CABLE OR EQUIVALENT

SHRINK TUBE
ATUM

PACKAGING BY POLYBAG



MAX. PANEL THICKNESS: 8.51 (.335)
RECOMMENDED MOUNTING TORQUE: 2.26N-M (20IN-LBS)

89761-1955	6.00±.197	152.4±5.00	03-4479A02 REV B
89761-1954	9.00±.197	228.6±5.00	03-4479A03 REV B
89761-1953	6.00±.197	152.4±5.00	N/A
89761-1952	3.00±.197	76.2±5.00	03-4479A01 REV B
89761-1951	7.087±.197	180.00±5.00	N/A
89761-1950	9.843±.197	250.00±5.00	N/A
PART NO.	IN	MM	LABEL TEXT
A			

CHG: -1955 ADD LABEL DELETE PS-73598-0033	DRWN:JWIENER CHKD:SSS APPR:JWIENER	2011/11/18 2011/11/18 2011/12/02	DESCRIPTION
REV			

QUALITY SYMBOLS	GENERAL TOLERANCES (UNLESS SPECIFIED)
▽=0	mm INCH
▽=0	4 PLACES ± --- ± ---
	3 PLACES ± --- ± ---
	2 PLACES ± --- ± ---
	1 PLACE ± --- ± ---
	ANGULAR ± 2 °
	DRAFT WHERE APPLICABLE MUST REMAIN WITHIN DIMENSIONS

DIMENSION STYLE	
MM/IN	
DRAWN BY	DATE
JOYCE	2006/11/23
CHECKED BY	DATE
KERRIE	2006/11/23
APPROVED BY	DATE
MISEN	2006/11/23
MATERIAL NO.	DOCUMENT NO.
SEE TABLE	SD-89761-195
SIZE	THIS DRAWING CONTAINS INFORMATION THAT IS PROPRIETARY TO MOLEX INCORPORATED AND SHOULD NOT BE USED WITHOUT WRITTEN PERMISSION

SCALE	DESIGN UNITS	THIRD ANGLE PROJECTION
	METRIC	
TITLE		
CABLE ASSY N JACK TO UFL IP68 1.32 CABLE 50 OHMS RF10-E028 CA-N/UFL		
MOLEX INCORPORATED		
SHEET NO.		1 OF 1