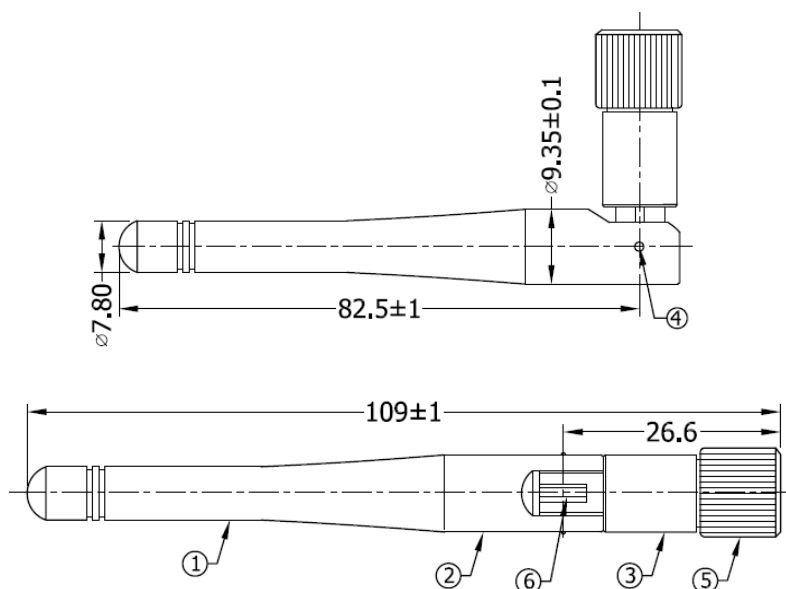


MOLEX WIFI/BT DUAL-BAND ANTENNA HINGED

1.0 STRUCTURE AND MATERIAL

No.	DESCRIPTION	STRUCTURE AND MATERIAL	
1	Antenna Cap	TPEE Color: Black	
2	Upper Base	PBT+PC Color: Black	
3	Bottom Base	PBT+PC Color: Black	
4	Rivet	POM Color: Black	
5	Connector	212860 0001	212860 0011
		SMA-J (male pin)	RP-SMA-J (Female Socket)
6	Cable	RG-178 Cable, Transparency Brown 50Ω	

STRUCTURE (UNIT: MM)



REVISION:

3

ECR/ECN INFORMATION:

EC No: -

DATE: -

TITLE:

**MOLEX WIFI/BT DUAL-BAND
ANTENNA_HINGED DRAFT DATASHEET**

SHEET No.

1 of 4

DOCUMENT NUMBER:

DATA SHEET 212860

CREATED / REVISED BY:

Liu Hai

CHECKED BY:

Cheng Kang

APPROVED BY:

Andy Zhang



DRAFT DATASHEET

2.0 ELECTRICAL CHARACTERISTICS

NO.	ITEM	SPECIFICATIONS	
2.1	Range of Receiving Frequency (MHz)	2.4-2.5GHz	5-6GHz
2.2	Average Efficiency	>70%	>75%
2.3	S11(in Center Frequency)	<-10dB	<-8dB
2.4	V.S.W.R(in Center Frequency)	≤2	≤2
2.5	Gain (Zenith) (dBic typ)	1.7dBic typical	4dBic typical
2.6	Polarization	Linear	
2.7	Impedance (Ω)	50	
2.8	Frequency Temperature Coefficient (ppm/°C)	0±10	

Note:

A: Product QC control standard;

B: Product QA control standard, when testing one port, another port is connected to 50 ohms resistance.

3.0 ENVIRONMENT CONDITION

1	Working Temp	-40°C~+85°C
2	Storage Temp	-40°C~+85°C
3	Relative Humidity range	45~65%RH

REVISION:

ECR/ECN INFORMATION:

TITLE:

SHEET No.

3

EC No: -

DATE: -

**MOLEX WIFI/BT DUAL-BAND
ANTENNA_HINGED DRAFT DATASHEET**

2 of 4

DOCUMENT NUMBER:

DATA SHEET 212860

CREATED / REVISED BY:

Liu Hai

CHECKED BY:

Cheng Kang

APPROVED BY:

Andy Zhang

4.0 TEST ENVIRONMENT



5.0 CHARACTERISTIC CURVE

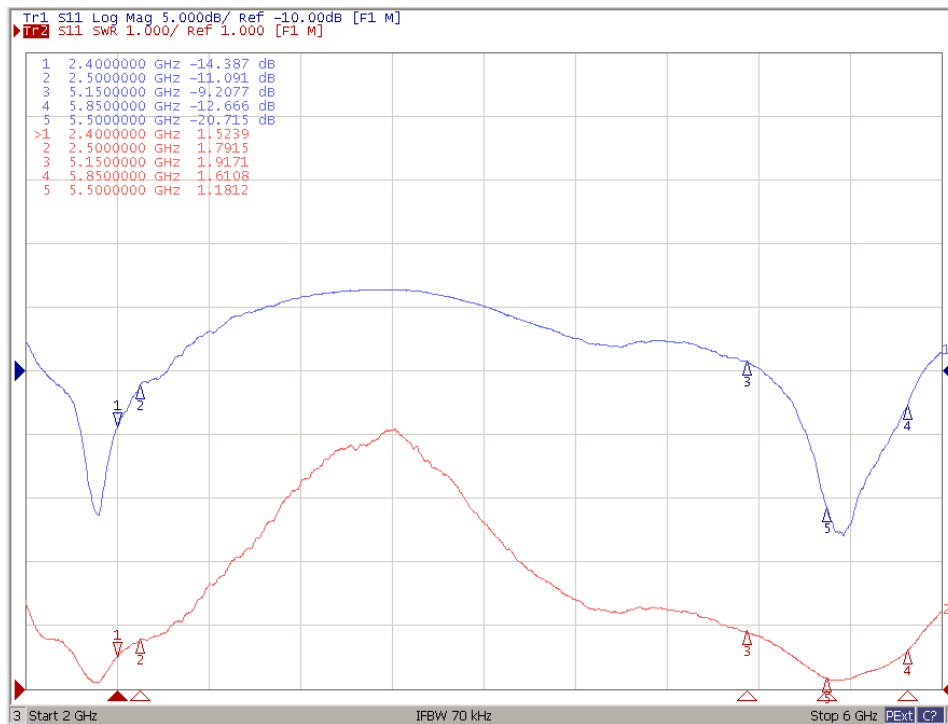


Figure 5.1 S11 and VSWR

<u>REVISION:</u> 3	<u>ECR/ECN INFORMATION:</u> EC No: - DATE: -	<u>TITLE:</u> MOLEX WIFI/BT DUAL-BAND ANTENNA_HINGED DRAFT DATASHEET	<u>SHEET No.</u> 3 of 4
<u>DOCUMENT NUMBER:</u> DATA SHEET 212860	<u>CREATED / REVISED BY:</u> Liu Hai	<u>CHECKED BY:</u> Cheng Kang	<u>APPROVED BY:</u> Andy Zhang



DRAFT DATASHEET

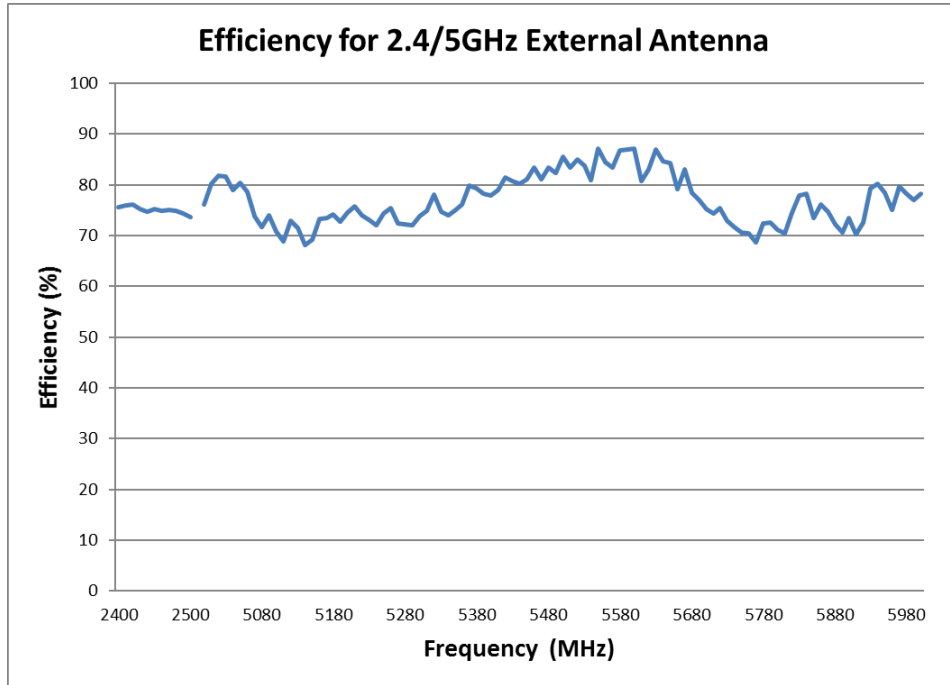


Figure 5.2 Efficiency

<u>REVISION:</u> 3	<u>ECR/ECN INFORMATION:</u> EC No: - DATE: -	<u>TITLE:</u> MOLEX WIFI/BT DUAL-BAND ANTENNA_HINGED DRAFT DATASHEET	<u>SHEET No.</u> 4 of 4
<u>DOCUMENT NUMBER:</u> DATA SHEET 212860	<u>CREATED / REVISED BY:</u> Liu Hai	<u>CHECKED BY:</u> Cheng Kang	<u>APPROVED BY:</u> Andy Zhang