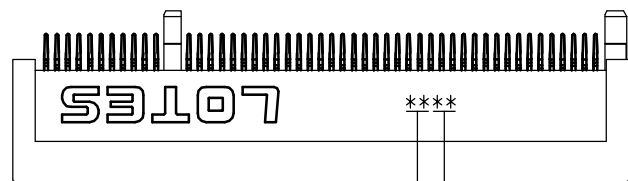
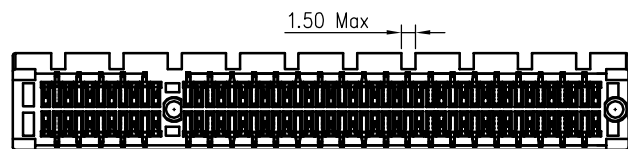
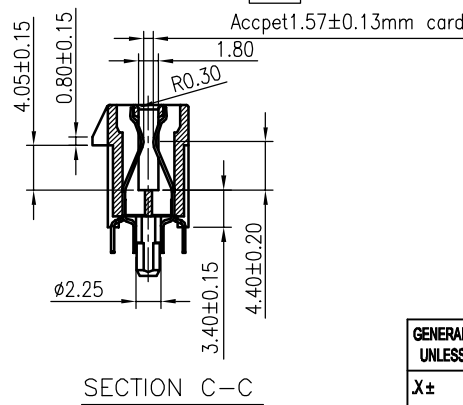
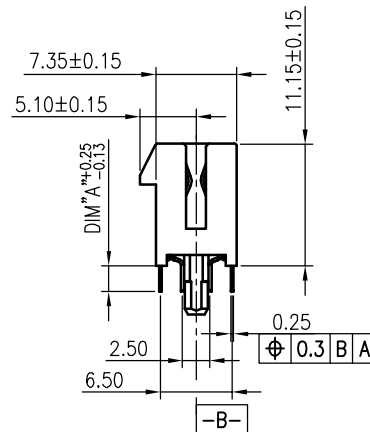
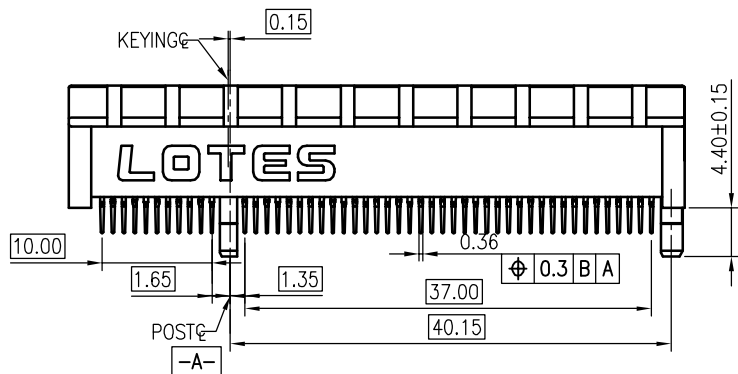
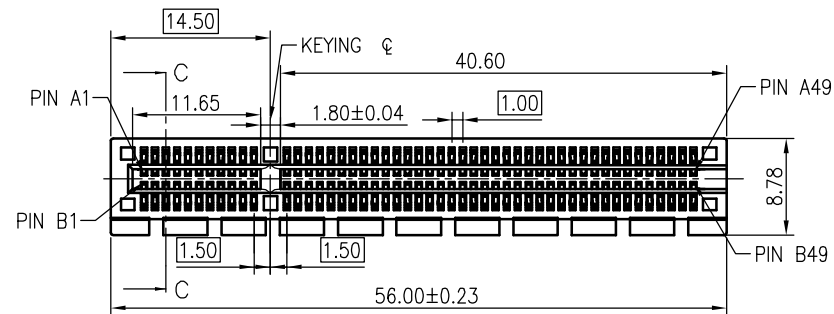
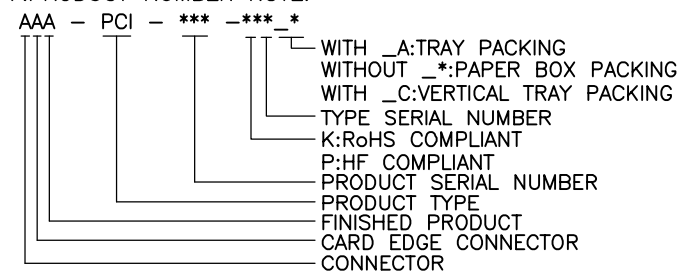


REV.	ECN NO./DESCRIPTION	DATE
2A	R150179	06/30'15
2B	R160443	09/26'16
3	N170484	12/07'17

NOTES:

- MATERIAL:**
HOUSING:HIGH TEMPERATURE THERMOPLASTIC.
COLOR:SEE TABLE.
TERMINAL: PHOSPHOR BRONZE C5191 OR BRASS C2680.
- FINISH:**
TERMINAL:50u" NI PLATING OVER ALL;
100u"MATTE Sn PLATING ON SOLDER TAIL;
Au PLATING ON CONTACT AREA.
- MECHANICAL SPEC:**
DURABILITY: 50 CYCLES.
RETENTION FORCE: 0.40 kgf MIN PER PIN.
MATING FORCE: 1.15N MAX PER PAIR.
UNMATING FORCE: 0.15N MIN PER PAIR.
- ELECTRICAL SPEC:**
CURRENT RATING: 1.1A.
CONTACT RESISTANCE: 30 MILLIOHMS MAX. INITIAL.
INSULATION RESISTANCE: 1000 MEGOHMS MIN.
DIELECTRIC WITHSTANDING VOLTAGE: 500V AC MIN.
- WAVE SOLDERING:**
THE CONNECTOR SHALL BE MOUNTED ON THE PCB,
THE TEMPERATURE OF THE SOLDER SHALL BE
260±5°C AND IMMERSION DURATION 10±2 SECONDS.
- RoHS COMPLIANT OR HF COMPLIANT.**

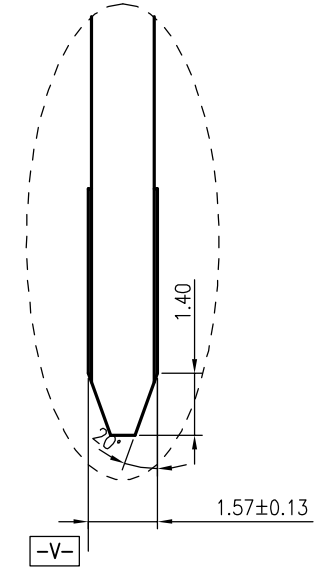
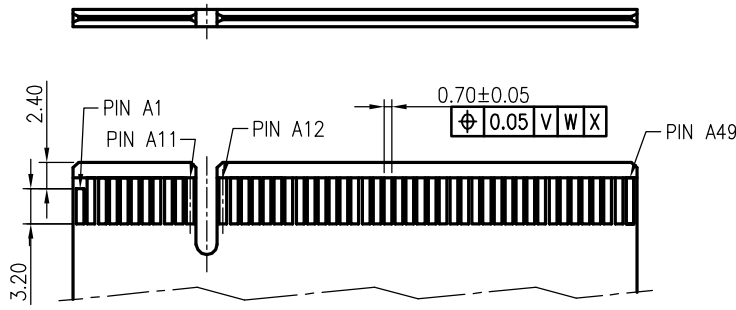
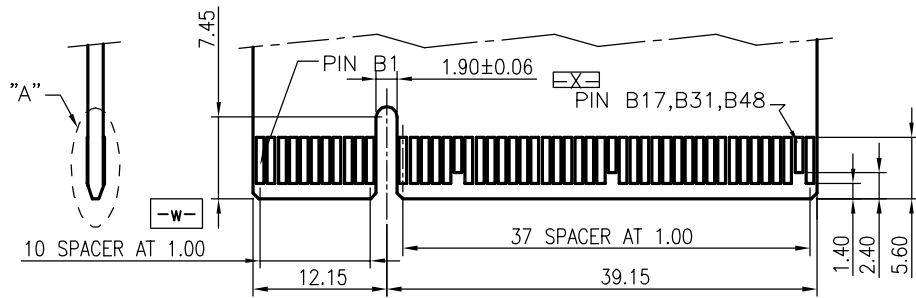
7.PRODUCT NUMBER NOTE:



DATE CODE: WEEK YEAR

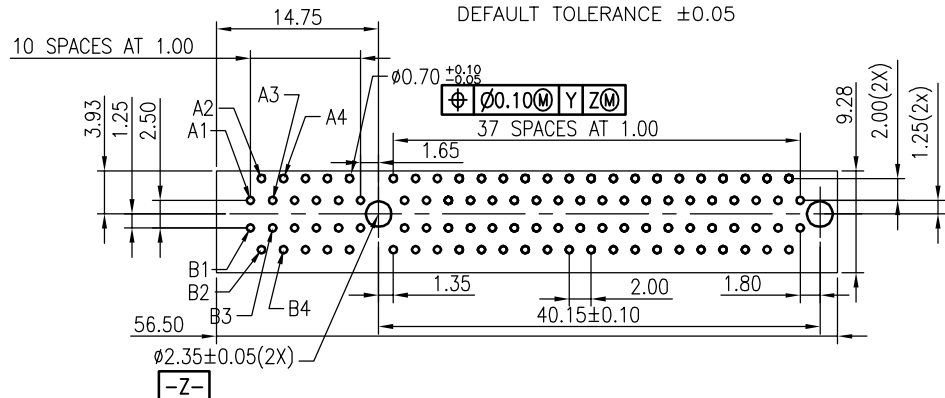
GENERAL TOLERANCES UNLESS SPECIFIED		PART NO.	LOTES		
X± 0.35	X°± 3°	SEE TABLE	TITLE		
.XX± 0.25	.X°± 2B	APPROVED BY	98PIN PCI-EXPRESS CONNECTOR		
.XXX± 0.15	.XX°± 1°	YINJIAXU 12/07'17	DWG NO.		
CUSTOMER DRAWING		CHECKED BY	GAP-AAA-PCI-165		
SIZE	UNITS	DRAWN BY	SHEET	SCALE	REV
A4	MM[INCH]	WANGYUECHONG 12/07'17			

REV.	ECN NO./DESCRIPTION	DATE
2A	R150179	06/30'15
2B	R160443	09/26'16
3	N170484	12/07'17



DETAIL "A"
SCALE 4/1

ADD-IN CARD EDGE-FINGER DIMENSIONS
DEFAULT TOLERANCE ±0.05



RECOMMENDED FOOTPRINT(TOP VIEW)
DEFAULT TOLERANCE ±0.05

GENERAL TOLERANCES UNLESS SPECIFIED		PART NO. SEE TABLE	LOTES			
X± 0.35	X°± 3°					APPROVED BY YINJIAXU 12/07'17
.XX± 0.25	X°± 2B					
.XXX± 0.15	.XX°± 1°					
CUSTOMER DRAWING		CHECKED BY ZHANGBIAO 12/07'17	DWG NO. GAP-AAA-PCI-165			
SIZE A4	UNITS MM[INCH]	DRAWN BY WANGYUECHONG 12/07'17		SHEET 2 / 2	SCALE 3:2	REV 3

1 2 3 4 5 6 7 8

F

F

PART NUMBER	SPECIFICATION	DIM"A"
AAA-PCI-165-K01	PA46+40%GF UL-94V0_BLACK; PHOSPHOR BRONZE C5191_15u"; POST;L.T	2.30mm
AAA-PCI-165-K08	PA46+40%GF UL-94V0_BLACK; PHOSPHOR BRONZE C5191_15u"; POST;L.T	3.10mm
AAA-PCI-165-K23	PA46+40%GF UL-94V0_BLACK; PHOSPHOR BRONZE C5191_30u"; POST;L.T	3.10mm
AAA-PCI-165-K27	PA46+40%GF UL-94V0_WHITE; PHOSPHOR BRONZE C5191_15u"; POST;L.T	2.30mm
AAA-PCI-165-P27	PA46+30%GF UL-94V0_WHITE; PHOSPHOR BRONZE C5191_15u"; POST;L.T HF	2.30mm
AAA-PCI-165-K28	PA46+40%GF UL-94V0_BLUE 293C; PHOSPHOR BRONZE C5191_15u"; POST;L.T	2.30mm
AAA-PCI-165-P29	PPA+30%GF UL-94V0_BLACK; PHOSPHOR BRONZE C5191_15u"; POST;L.T HF	3.10mm
AAA-PCI-165-K36	PA9T+30%GF UL-94V0_BLACK; PHOSPHOR BRONZE C5191_15u"; POST;L.T	2.54mm
AAA-PCI-165-K37	PA46+40%GF UL-94V0_BLUE 287C; PHOSPHOR BRONZE C5191_15u"; POST;L.T	2.30mm
AAA-PCI-165-K08_A	PA46+40%GF UL-94V0_BLACK; PHOSPHOR BRONZE C5191_15u"; POST;L.T	3.10mm
AAA-PCI-165-P24	PA46+30%GF UL-94V0_WHITE; PHOSPHOR BRONZE C5191_30u"; POST;L.T;HF	2.30mm
AAA-PCI-165-K02	PA46+40%GF UL-94V0_BLACK; PHOSPHOR BRONZE C5191_30u"; POST;L.T	2.30mm
AAA-PCI-165-K45_A	PA9T+30%GF UL-94V0_BLACK; PHOSPHOR BRONZE C5191_15u"; POST;L.T	2.30mm
AAA-PCI-165-K01_A	PA46+40%GF UL-94V0_BLACK; PHOSPHOR BRONZE C5191_15u"; POST;L.T	2.30mm
AAA-PCI-165-K03	PA46+40%GF UL-94V0_BLACK; PHOSPHOR BRONZE C5191_1u"; POST;L.T	2.30mm
AAA-PCI-165-K50	PA46+40%GF UL-94V0_BLUE 293C; PHOSPHOR BRONZE C5191_30u"; POST;L.T	2.30mm
AAA-PCI-165-K24	PA46+40%GF UL-94V0_WHITE; PHOSPHOR BRONZE C5191_30u"; POST;L.T	2.30mm
AAA-PCI-165-K53	PA46+40%GF UL-94V0_BLUE 661C; PHOSPHOR BRONZE C5191_15u"; POST;L.T	2.30mm
AAA-PCI-165-K51_C	PA9T+30%GF UL-94V0_BLACK; PHOSPHOR BRONZE C5191_15u"; POST;L.T	3.10mm
AAA-PCI-165-P30	PA10T+35%GF UL-94V0_BLACK; PHOSPHOR BRONZE C5191_15u"; POST;L.T;HF	2.30mm
AAA-PCI-165-K23_C	PA46+40%GF UL-94V0_BLACK; PHOSPHOR BRONZE C5191_30u"; POST;L.T	3.10mm
AAA-PCI-165-P30_C	PA10T+35%GF UL-94V0_BLACK; PHOSPHOR BRONZE C5191_15u"; POST;L.T;HF	2.30mm
AAA-PCI-165-K54	PA46+40%GF UL-94V0_BLUE 293C; PHOSPHOR BRONZE C5191_30u"; POST;L.T	3.10mm
AAA-PCI-165-P55_C	PA10T+35%GF UL-94V0_BLACK; PHOSPHOR BRONZE C5191_30u"; POST;L.T;HF	2.30mm
AAA-PCI-165-K56	PA6T+35%GF UL-94V0_BLACK; PHOSPHOR BRONZE C5191_15u"; POST;L.T;	2.30mm
AAA-PCI-165-K56_A	PA6T+35%GF UL-94V0_BLACK; PHOSPHOR BRONZE C5191_15u"; POST;L.T;	2.30mm
AAA-PCI-165-K58	PA6T+35%GF UL-94V0_BLACK; PHOSPHOR BRONZE C5191_30u"; POST;L.T;	2.30mm
AAA-PCI-165-P49_A	PA10T+35%GF UL-94V0_BLACK HF; PHOSPHOR BRONZE C5191_15u"; POST;L.T;	3.10mm
AAA-PCI-165-K59	PA6T+35%GF UL-94V0_BLACK; PHOSPHOR BRONZE C5191_G/F; POST;L.T;	2.30mm
AAA-PCI-165-K60	PA46+40%GF UL-94V0_WHITE; PHOSPHOR BRONZE C5191_30u"; POST;L.T	3.10mm

D

D

C

C

B

B

A

A

1 2 3 4 5 6 7 8