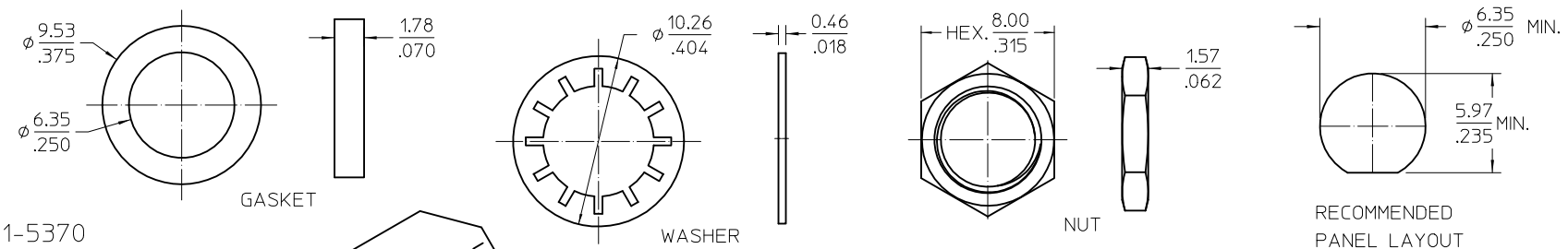
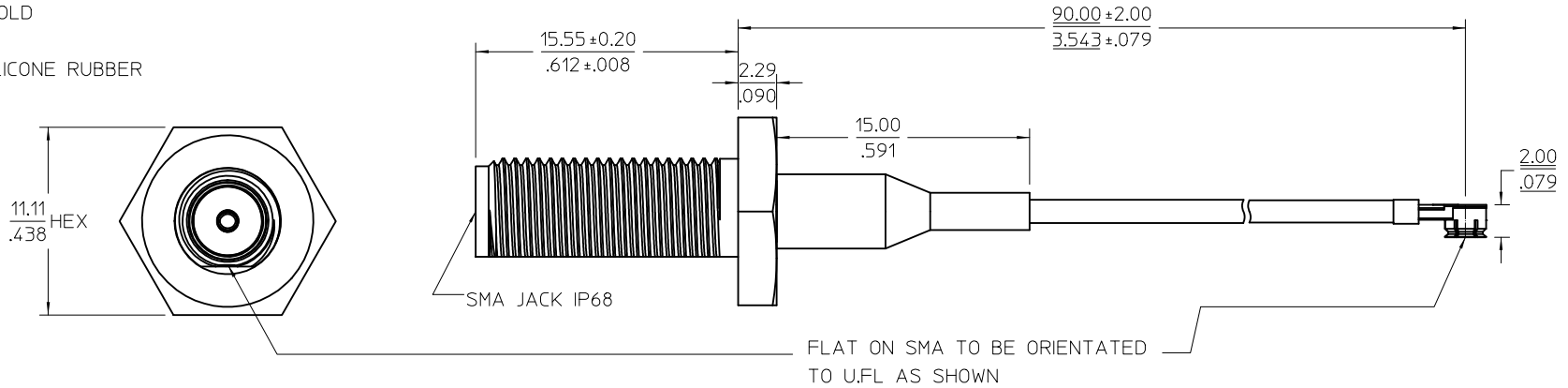
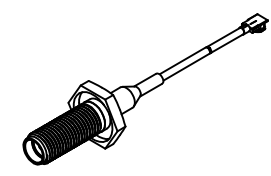


MATERIALS AND FINISHES

J SMA JACK U.FL SHRINK TUBE: VERSAFIT OR EQUIVALENT
 BODY: CRIMP TUBE, JAMNUT BRASS BODY: PHOSPHOR BRONZE CABLE: 1.37 MM
 PLATED GOLD BODY: PHOSPHOR BRONZE
 PLATED GOLD
 I CENTER CONTACT: BERYLLIUM COPPER CENTER CONTACT: PHOSPHOR BRONZE
 PLATED GOLD PLATED GOLD
 H INSULATOR: TEFLON HOUSING: PBT, COLOR WHITE
 LOCK WASHER: PHOSPHOR BRONZE
 PLATING GOLD
 GASKET: SILICONE RUBBER



PART # 89761-5370

MIL-STD-348A, FIG. 310.2	SMA JACK INTERFACE
SPECIFICATION	DESCRIPTION

PRE-RELEASE
REFERENCE
USE ONLY

CHG: ASSEMBLED GASKET	EC NO: DRAWING: 02	DATE: 2010/09/21	DESCRIPTION: A1	QUALITY SYMBOLS: ▽=0 ▽=0	GENERAL TOLERANCES (UNLESS SPECIFIED)		DIMENSION STYLE		SCALE	DESIGN UNITS	THIRD ANGLE PROJECTION	
					mm	INCH	MM/IN	METRIC	☉	☐		
4 PLACES ± --- ± ---					DRAWN BY: CWE102		DATE: 2010/08/27		TITLE: CA, SMA J BLKHD TO UFL, WITH 1.37 CABLE, IP68			
3 PLACES ± --- ± ---					CHECKED BY: KERR IE		DATE: 2010/08/27		CA-SMA_J/UFL			
2 PLACES ± --- ± ---					APPROVED BY: MHUANG		DATE: 2010/09/18		MOLEX INCORPORATED			
1 PLACE ± --- ± ---					MATERIAL NO. 897615370		DOCUMENT NO. SD-89761-537		SHEET NO. 1 OF 1			
ANGULAR ± 2 °					DRAFT WHERE APPLICABLE MUST REMAIN WITHIN DIMENSIONS							
SIZE C					THIS DRAWING CONTAINS INFORMATION THAT IS PROPRIETARY TO MOLEX INCORPORATED AND SHOULD NOT BE USED WITHOUT WRITTEN PERMISSION							