

**MATERIALS AND FINISHES:**

SMA JACK BULKHEAD IP68

BODY, CRIMP TUBE: BRASS  
PLATED GOLD

CENTER CONTACT: BERYLLIUM COPPER  
PLATED GOLD

INSULATOR: TEFLON

JAM NUT: BRASS  
PLATED GOLD

LOCK WASHER: SPCC  
PLATED GOLD

GASKET: SILICONE RUBBER

MHF4 PLUG

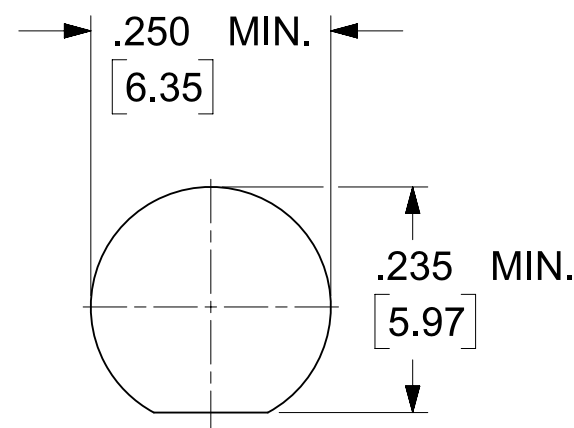
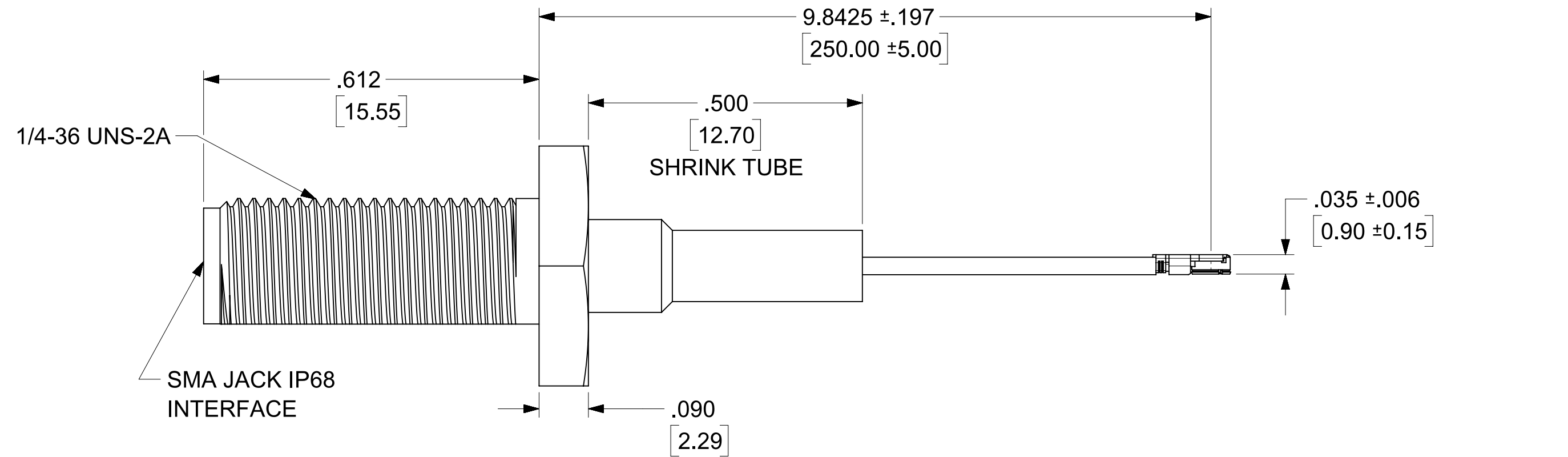
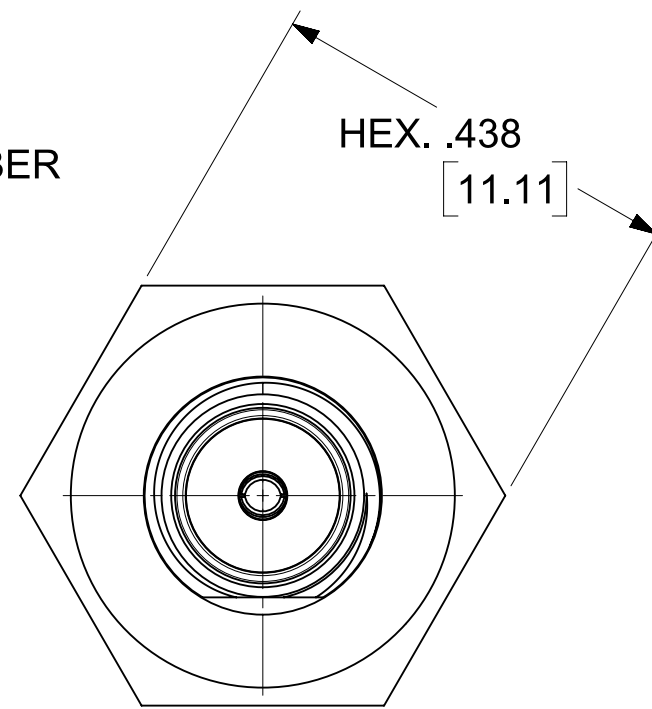
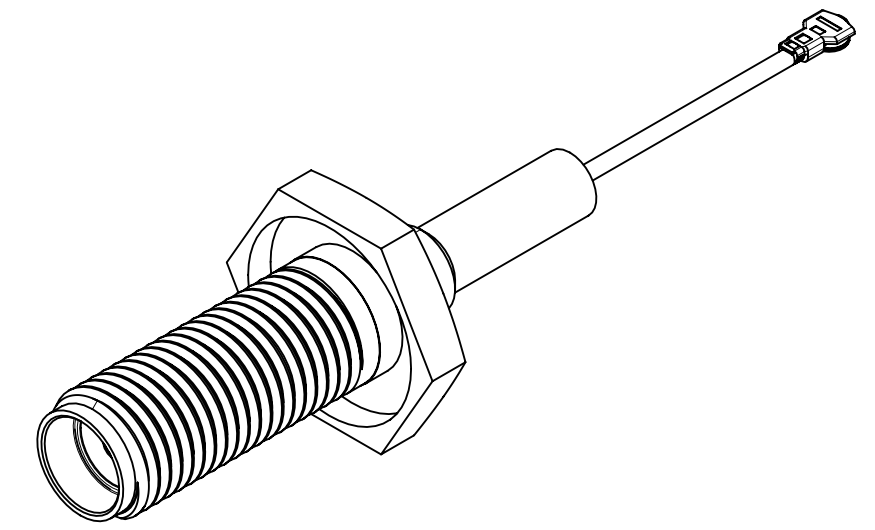
GROUND CONTACT: PHOSPHOR BRONZE  
PLATED GOLD/NICKEL

CONTACT: PHOSPHOR BRONZE  
PLATED GOLD

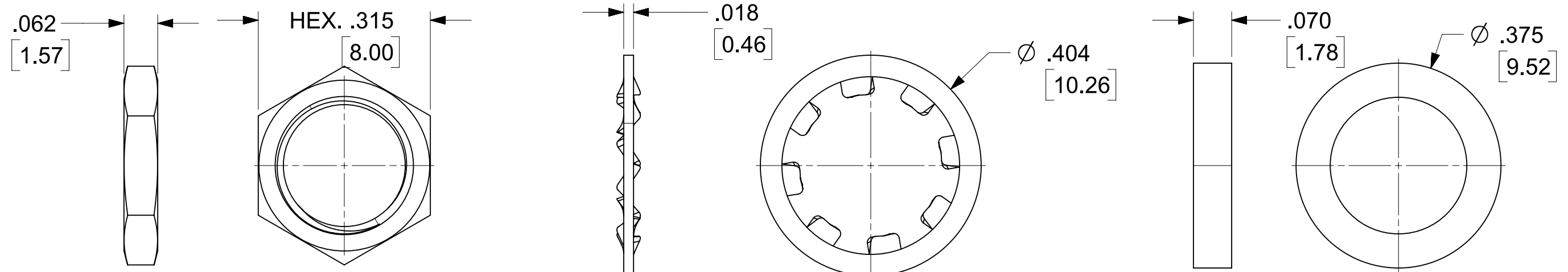
HOUSING: PBT

SHRINK TUBE: VERSAFIT OR EQUIVALENT

CABLE: Ø0.81MM CABLE



RECOMMENDED MOUNTING HOLE  
PANEL THICKNESS: .272 (6.92) MAX.



PRE-RELEASE  
REFERENCE  
USE ONLY

73230-1250	POLY BAG
PART NO.	PACKAGING

MIL-STD-348A, FIG. 310.2	SMA JACK INTERFACE
SPECIFICATION	DESCRIPTION

1	2021/08/18	PER EWR14726-A
REV.	DATE	DESCRIPTION

THIS DRAWING CONTAINS INFORMATION THAT IS PROPRIETARY TO MOLEX ELECTRONIC TECHNOLOGIES, LLC AND SHOULD NOT BE USED WITHOUT WRITTEN PERMISSION

FUNCTIONAL SYMBOLS	DIMENSION UNITS	SCALE	CURRENT REV DESC:
FA = 0	INCH	NTS	
FB = 0	GENERAL TOLERANCES (UNLESS SPECIFIED)		
FC = 0	MM	INCH	
	4 PLACES ±	±	
	3 PLACES ±	±	
	2 PLACES ±	±	
	1 PLACE ±	±	
	0 PLACES ±	±	
DIVISIONAL SYMBOLS	ANGULAR TOL	± °	
	DRAFT WHERE APPLICABLE MUST REMAIN WITHIN DIMENSIONS		
	THIRD ANGLE PROJECTION	DRAWING	SERIES
		C-SIZE	73230
	EC NO:	DRWN:	2021/08/18
	DRWN: CWEI02	CHK'D:	
	APPR:	INITIAL REVISION:	
		DRWN: DRWN BY	XXXX/XX/XX
		APPR: APPR BY	XXXX/XX/XX
	DOCUMENT NUMBER	DOC TYPE	DOC PART
	732301250	PSD	000
		REVISION	1
	MATERIAL NUMBER	CUSTOMER	SHEET NUMBER
	SEE TABLE		1 OF 1

**molex**

CA, SMA J ST IP68 TO MHF4 WITH 0.81 MM CABLE, CA-SMA\_J/MHF4\_P, EWR14726

PRODUCT CUSTOMER DRAWING