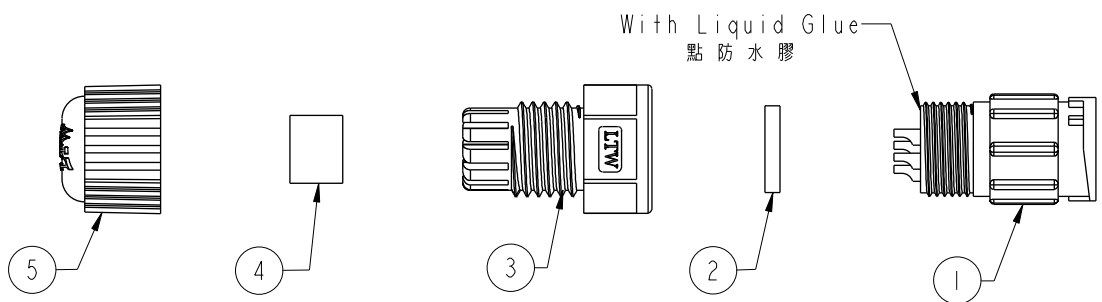
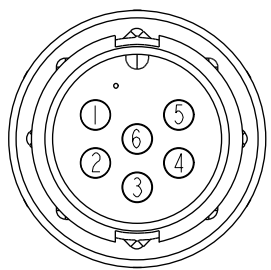
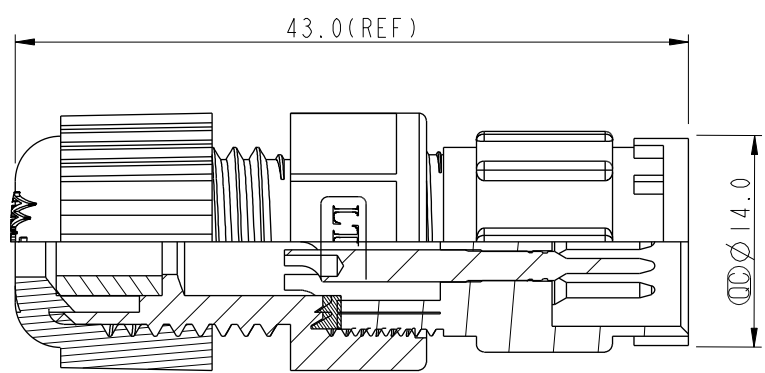


REV.	ECN NO.	DATE	SIGN	DESCRIPTION

ALTW
DCC. DEPT.
CONFIDENTIAL
2012-04-03
ISSUED



ALTW
CONFIDENTIAL
2012-03-26
R&D DEPT.



Pin Assignments
Front View 前視圖

- Note:
- * Waterproof Rate: IP67
 - * CC Important Dimension To Check. (CC 為重點檢驗尺寸)
 - * Seals for Cable OD: $\varnothing 4.5\text{mm} \sim \varnothing 6.5\text{mm}$ (防水墊圈線徑: $\varnothing 4.5\text{mm} \sim \varnothing 6.5\text{mm}$)
 - * One Set Unassembled In One PE Bag (每一組未組裝, 放置於一個PE袋, 並封口)
 - * Housing: Black, Nylon+GF
 - * Male Pin: Copper Alloy, Gold Plated
 - * Gasket: Black, EPDM
 - * Clamp Ring: Black, Nylon
 - * Seals: Black, EPDM
 - * Sealing Nut: Black, Nylon
 - * Liquid Glue: Clear

UNIT: mm		
TOLERANCE		
.X	± 0.25	
.XX	± 0.1	
.XXX	± 0.05	
ANGLES	$\pm 1^\circ$	

TITLE Standard Assy Lock 6P M Conn M Pin			
SCALE 1:1	SIZE A4	SHEET 1 OF 1	
REV. A	WC-REV. A.2	CC : Inspection item	

Amphenol LTW
安費諾亮泰企業股份有限公司

ITEM NO. BD-06BMMA-LL7001	DRAWN BY SamChang	DATE 2012-03-26
DWG NO. BD-06BMMA-LL7001	CHECKED BY Jeffrey	DATE 2012-04-03
CUSTOMER ALTW	APPROVED BY Lion	DATE 2012-04-03

THIS DOCUMENT IS SUBJECT TO CHANGE WITHOUT NOTICE. IT IS CONFIDENTIAL AND A PROPERTY OF Amphenol LTW. DISCLOSURE TO THIRD PARTY HAS TO BE AUTHORIZED BY Amphenol LTW.